

The TUM-VT bicycle simulator – recent projects on bicycle traffic research

Andreas Keler; Georgios Grigoropoulos; Heather Kathis; Matthias Spangler; Fritz Busch

StreetScience @ Streetlife-Festival: Testing the bicycle simulator

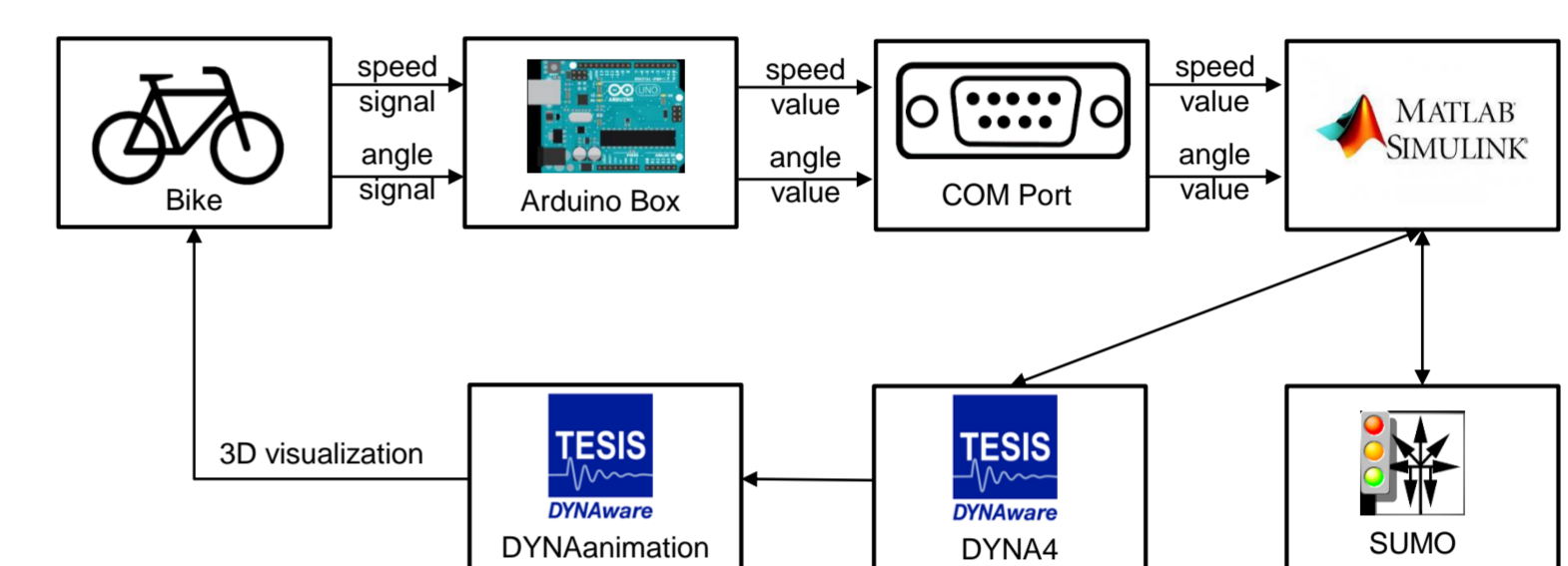


Construction of the bicycle simulator – October 2018



Recent and previous sensors of the bicycle simulator, with (a) rotating steering plate, (b) magnetic rotary encoder, and, (c) IR distance sensor

Software components of the bicycle simulator



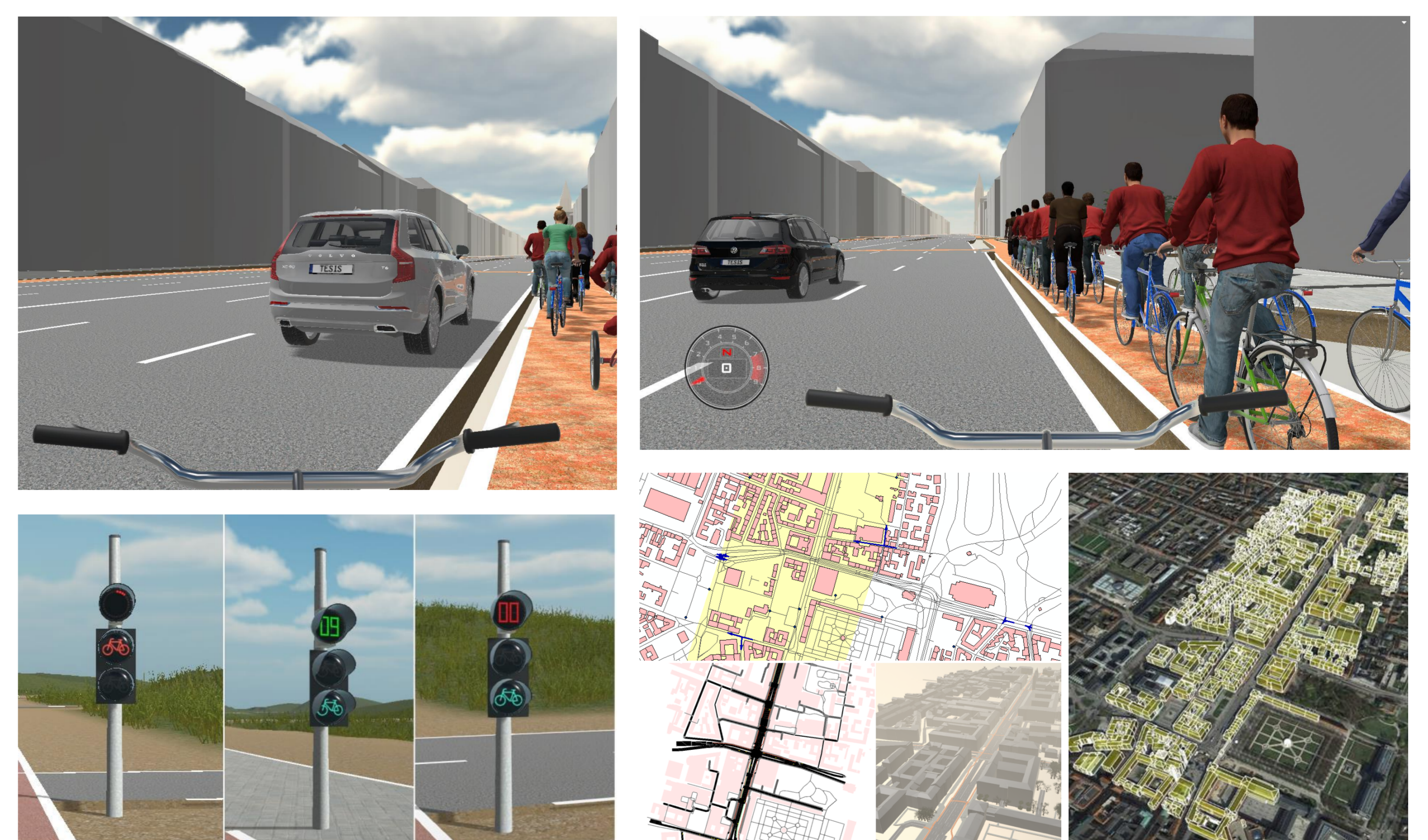
@CITY

@CITY - Automated Vehicles and Intelligent Traffic in the City
@CITY-AF - Automated Driving Functions

RadOnTime - Effects of Countdown Timers on Bicycle Traffic

Ongoing research projects of TUM-VT with bicycle simulator applications:

- RASCH - Bicycle Highways: Designing efficient and secure Infrastructure
- RadOnTime - Effects of Countdown Timers on Bicycle Traffic
- @CITY - Automated Vehicles and Intelligent Traffic in the City
- @CITY-AF - Automated Driving Functions



RASCH - Bicycle Highways: Designing efficient and secure Infrastructure