

Point-interacting Brownian motions in the KPZ universality class

Tomohiro Sasamoto* Herbert Spohn†

Abstract

We discuss chains of interacting Brownian motions. Their time reversal invariance is broken because of asymmetry in the interaction strength between left and right neighbor. In the limit of a very steep and short range potential one arrives at Brownian motions with oblique reflections. For this model we prove a Bethe ansatz formula for the transition probability and self-duality. In case of half-Poisson initial data, duality is used to arrive at a Fredholm determinant for the generating function of the number of particles to the left of some reference point at any time $t > 0$. A formal asymptotics for this determinant establishes the link to the Kardar-Parisi-Zhang universality class.

Keywords: nonreversible interacting diffusion processes ; asymptotic analysis.

AMS MSC 2010: 60K35 ; 82C22 ; 82C24.

Submitted to EJP on November 13, 2014, final version accepted on August 12, 2015.

1 Nonreversible interacting diffusions

Roughly fifteen years ago, K. Johansson established that the totally asymmetric simple exclusion process (TASEP) is in the Kardar-Parisi-Zhang (KPZ) universality class. More precisely, for step initial conditions he studied $J_{0,1}(t)$, the particle current between sites 0 and 1, integrated over the time span $[0, t]$, and proved that

$$J_{0,1}(t) = c_d t + c_f t^{1/3} \xi_{\text{GUE}} \tag{1.1}$$

in distribution for large t . The random amplitude ξ_{GUE} is GUE Tracy-Widom distributed. c_d, c_f are explicitly known constants, but to keep the notation light we do not display them here. These are model dependent, non-universal coefficients, which will reappear again and may take different numerical values. ('d' stands for deterministic and 'f' for fluctuations). The scaling exponent $1/3$ was predicted before by Kardar, Parisi, and Zhang [29], see also [25, 3]. The most striking feature is the random amplitude, telling us that (1.1) is not a central limit theorem. Many related results have been established since, for surveys see [16, 13, 14, 35]. Most of them are for specific interacting stochastic particle systems in one dimension, which are discrete and have a dynamics governed by

*Tokyo Institute of Technology, Japan. E-mail: sasamoto@phys.titech.ac.jp

†Technical University Munich, Germany. E-mail: spohn@ma.tum.de

a Markov jump process. In this contribution we will explore interacting one-dimensional diffusion processes in the KPZ universality class.

As a start we introduce a family of model systems, explain in more detail the conjectures related to the KPZ universality class, and recall the two major results available so far. The main part of our contribution concerns a singular limit, in which the Brownian motions interact only when they are at the same location.

To motivate our model system we start from the potential of a coupled chain,

$$V_{\text{tot}}(x) = \sum_{j=1}^{n-1} V(x_{j+1} - x_j) \tag{1.2}$$

with $x = (x_1, \dots, x_n)$, $x_j \in \mathbb{R}$, and a twice differentiable nearest neighbor potential, V . The precise definition of a point-interaction will be given in Sect. 2, while in the introduction we outline the general picture. To construct a reversible diffusion process with invariant measure

$$e^{-V_{\text{tot}}(x)} \prod_{j=1}^n dx_j, \tag{1.3}$$

the drift is taken to be the gradient of V_{tot} , while the noise is white and independent for each coordinate. Then

$$dx_j(t) = \left(\frac{1}{2} V'(x_{j+1}(t) - x_j(t)) - \frac{1}{2} V'(x_j(t) - x_{j-1}(t)) \right) dt + dB_j(t), \tag{1.4}$$

$j = 1, \dots, n$, with the convention that $V'(x_1(t) - x_0(t)) = 0 = V'(x_{n+1}(t) - x_n(t))$. Here $x_j(t) \in \mathbb{R}$ and $\{B_j(t), j = 1, \dots, n\}$ is a collection of independent standard Brownian motions. Note that the measure in (1.3) has infinite mass. Eq. (1.4) is one variant of a Ginzburg-Landau model, see [40] for example.

The dynamics defined by (1.4) is invariant under the shift $x_j \rightsquigarrow x_j + a$, which will be the origin of slow decay in time. Breaking this shift invariance, for example by adding an external, confining on-site potential V_{ex} as $-V'_{\text{ex}}(x_j(t))dt$ in (1.4), would change the picture completely. Just to give one example, one could choose V and V_{ex} to be quadratic. Then the dynamics governed by Eq. (1.4) is an Ornstein-Uhlenbeck process, which has a unique invariant measure, a spectral gap independent of system size, and exponential space-time mixing. Setting $V_{\text{ex}} = 0$, slow decay is regained. Because of shift invariance, we regard $x_j(t)$ as the height at lattice site j at time t . In applications $x_j(t)$ could describe a one-dimensional interface which separates two bulk phases of a thin film of a binary liquid mixture. V then models the surface free energy (surface tension) of this interface.

If in (1.4) one introduces the stretch $r_j = x_j - x_{j-1}$ and adopts periodic boundary conditions, then

$$dr_j(t) = \frac{1}{2} \Delta V'(r_j(t)) dt + \nabla dB_j(t), \quad j = 1, \dots, n, \tag{1.5}$$

where Δ denotes the lattice Laplacian and ∇ the finite difference operator, both understood with periodic boundary conditions. Clearly, $r_j(t)$ is locally conserved and the sum $\sum_{j=1}^n r_j(t)$ is conserved. As a consequence the $r(t)$ process has a one-parameter family of invariant probability measures, indexed by ℓ , which is obtained by conditioning the measure

$$\prod_{j=1}^n e^{-V(r_j)} dr_j, \tag{1.6}$$

on the hyperplane $\{r \mid \sum_{j=1}^n r_j = n\ell\}$. In the infinite volume limit, the $\{r_j\}$ are i.i.d. with the single site distribution

$$Z^{-1} e^{-V(r_j) - Pr_j} dr_j, \quad Z = \int e^{-V(u) - Pu} du, \quad \mathbb{E}_P(r_j) = \ell, \tag{1.7}$$

where $\mathbb{E}_P(\cdot)$ denotes expectation with respect to the product measure. The parameter P controls the average value of r_j . To have $Z < \infty$ for a nonempty interval of values of P , we require the potential V to be bounded from below and to have at least a one-sided bound as $V(u) \geq c_1 + c_2|u|$, either for $u > 0$ or for $u < 0$, with $c_2 > 0$. Note that

$$-\mathbb{E}_P(V'(r_j)) = P, \tag{1.8}$$

which means that P is the equilibrium pressure in the chain. The diffusive limit of (1.5) has been studied in a famous work by Guo, Papanicolaou, and Varadhan [21], who prove that on a large space-time scale the random field $\{r_j(t), j = 1, \dots, n\}$ is well approximated by a deterministic nonlinear diffusion equation. The fluctuations relative to the deterministic space-time profile are Gaussian as proved by Chang and Yau [15].

KPZ universality enters the play, when the dynamics (1.4) is modified to become nonreversible. In the physical picture of an interface, the breaking of time reversal invariance results from an imbalance between the two bulk phases which induces a systematic motion. On a more abstract level there are many options. One possibility is to start from a Gaussian process by setting $V(u) = u^2$ and adding nonlinearities such that shift invariance is maintained and the stationary Gaussian measure of the linear equations remains stationary, see [37] for a worked out example. Here we take a different route by splitting the two drift terms, $\frac{1}{2}V'(x_{j+1}(t) - x_j(t))$ and $-\frac{1}{2}V'(x_j(t) - x_{j-1}(t))$, not symmetrically but asymmetrically with fraction p to the right and fraction q to the left, $p + q = 1, 0 \leq p \leq 1$. Then (1.4) turns into

$$dx_j(t) = (pV'(x_{j+1}(t) - x_j(t)) - qV'(x_j(t) - x_{j-1}(t)))dt + dB_j(t). \tag{1.9}$$

The totally asymmetric limits correspond to $p = 0, 1$. One easily checks that for all p the measure (1.3) is still invariant which, of course, is a good reason to break time reversal invariance in this particular way. This property is in analogy to the ASEP, where the Bernoulli measures are invariant independently of the choice of the right hopping rate p .

If, as before, one switches to the stretches r_j , then

$$dr_j(t) = \frac{1}{2}\Delta_p V'(r_j(t))dt + \nabla dB_j(t), \quad j = 1, \dots, n, \tag{1.10}$$

with periodic boundary conditions and $\frac{1}{2}\Delta_p f(j) = pf(j+1) + qf(j-1) - f(j)$. Because of the asymmetry, the macroscopic scale is hyperbolic rather than diffusive. We denote by $\ell(u, t)$ the macroscopic field for the local stretch $r_j(t)$, where u is the continuum limit of the labeling by lattice sites j . Then, using the entropy method of Yau [47], it can be proved that the deterministic limit satisfies the hyperbolic conservation law

$$\partial_t \ell + (p - q)\partial_u P(\ell) = 0 \tag{1.11}$$

with $P(\ell)$ the function inverse to $\mathbb{E}_P(r_0) = \ell$. Since $\ell'(P) < 0$, the inverse is well defined. The limit result leading to (1.11) holds for initial profiles which are slowly varying on the scale of the lattice and up to the first time when a shock is formed.

At this point we can explain the striking difference between reversible and nonreversible systems. Let us impose the periodic initial configuration $x_j = \bar{\ell}j, j \in \mathbb{Z}$ and, assuming that the dynamics for the infinite system is well defined, let us focus on $x_0(t)$, the particle starting at the origin. For the symmetric model one expects

$$x_0(t) = c_\ell t^{1/4} \xi_G \tag{1.12}$$

as $t \rightarrow \infty$ with ξ_G a standard mean zero Gaussian random variable. We are not aware of a completely written out proof, but the key elements can be found in [15]. Harris [22] considers independent Brownian motions, such that the labeling is maintained

according to their order. For the dynamics defined by (1.4) this corresponds to the limit of a strongly repulsive potential V with its support shrinking to zero. In [22] it is proved that $x_0(t)$ is well-defined and that the scaled process $\epsilon^{1/4}x_0(\epsilon^{-1}t)$ has a limit as $\epsilon \rightarrow 0$ which is a Gaussian process with an explicitly computed covariance.

In contrast, for the nonreversible system it is conjectured that

$$x_0(t) = (p - q)P(\bar{\ell})t + c_f t^{1/3} \xi_{\text{GOE}} \tag{1.13}$$

in distribution as $t \rightarrow \infty$. The anticipated numerical value of c_f is explained in Appendix A. Note that, in general, there could be specific values of $\bar{\ell}$, for which $c_f = 0$. In particular, for the Gaussian process with $V(u) = \frac{1}{2}u^2$, one obtains $P(\ell) = \ell$ and $c_f = 0$ for all ℓ . The random amplitude ξ_{GOE} has the distribution function

$$\mathbb{P}(\xi_{\text{GOE}} \leq s) = \det(1 - P_s B_0 P_s). \tag{1.14}$$

Here the determinant is over $L^2(\mathbb{R})$, P_s projects onto the half-line $[s, \infty)$, and B_0 is a Hermitean operator with integral kernel $B_0(u, u') = \text{Ai}(u + u')$, Ai being the standard Airy function. As proved by Tracy and Widom [42], the expression (1.14) is also the distribution function of the largest eigenvalue of the Gaussian Orthogonal Ensemble (GOE) of real symmetric $N \times N$ random matrices in the limit $N \rightarrow \infty$, see [36, 19] for the particular representation (1.14).

As in the case of a reversible model, one can regard $x_0(t)$ as a stochastic process in t . No definite conjectures on its scaling limit are available. We refer to [17] for a discussion.

A proof of (1.13) seems to be difficult with current techniques, except for the Harris limiting case with $q = 1$. Then the process $\{x_j(t), j \in \mathbb{Z}\}$ is constructed in the following way: for all j , $x_j(0) = j$ and $x_j(t)$ performs a Brownian motion being reflected at the Brownian particle $x_{j-1}(t)$. Because of collisions, $x_0(t)$ is pushed to the right and, as proved in [20], it holds that

$$\lim_{t \rightarrow \infty} (2t)^{-1/3} (x_0(t) - t) = \xi_{\text{GOE}} \tag{1.15}$$

in distribution.

A second example is the O’Connell-Yor model of a directed polymer in a random medium [32], which has been analysed in considerable detail and again confirms anomalous fluctuations. As before the dynamics is totally asymmetric, $q = 1$, but the potential is smooth and given by $V(u) = e^{-u}$. Then

$$x_0(t) = x_0(0) + B_0(t), \quad dx_j(t) = \exp(-x_j(t) + x_{j-1}(t))dt + dB_j(t), \quad j = 1, 2, \dots \tag{1.16}$$

The initial conditions are $x_0(0) = 0$ and, formally, $x_j(0) = -\infty$ for $j \geq 1$. As proved in [31], there is a law of large numbers which states that

$$\lim_{t \rightarrow \infty} t^{-1} x_{\lfloor ut \rfloor}(t) = \phi(u) \text{ a.s.} \tag{1.17}$$

for $u > 0$ with $\lfloor \cdot \rfloor$ denoting integer part. The limit function ϕ can be guessed by realizing that on the macroscopic scale the slope satisfies Eq. (1.11). First note that $\ell = -\psi(P)$ with $\psi = \Gamma'/\Gamma$, the Digamma function. Hence

$$\phi(u) = \inf_{s \geq 0} (s - u\psi(s)), \tag{1.18}$$

see [41] for details. $\phi(0) = 0$, $\phi'' < 0$, and ϕ has a single strictly positive maximum before dropping to $-\infty$ as $u \rightarrow \infty$. Thus $t\phi(u/t)$ reproduces the required singular initial conditions as $t \rightarrow 0$.

Even more remarkable, one has a limit result [6, 7] for the fluctuations,

$$\lim_{t \rightarrow \infty} t^{-1/3} (x_{\lfloor ut \rfloor}(t) - t\phi(u)) = \kappa(u)^{1/3} \xi_{\text{GUE}}. \quad (1.19)$$

The non-universal coefficient $\kappa(u)$ will be discussed in Appendix A. Note that the proper rule is to subtract the asymptotic mean value and not the more obvious mean at time t . Hence the limit distribution may have a non-zero mean and in fact $\mathbb{E}(\xi_{\text{GUE}}) \approx -1.77$.

In our contribution we will study interacting diffusions with *partial* asymmetry and random initial data. As in the previous example, the index $j \in \mathbb{Z}_+$. But we have to resort to point interactions. The precise definition of the dynamics will be given in the following section. As initial conditions we assume that $\{x_0, x_{j+1} - x_j, j \geq 0\}$ are independent exponentially distributed random variables with mean 1. Hence at $t = 0$ the macroscopic profile is $\phi(u) = u, u \geq 0$. For point interactions, one has $V = 0$ in Eq. (1.7) and thus $P(\ell) = \ell^{-1}$. The integrated version of Eq. (1.11) reads

$$\partial_t \phi + (p - q)(\partial_u \phi)^{-1} = 0, \quad (1.20)$$

which for our initial conditions has the self-similar solution

$$\phi(u, t/\gamma) = 2\sqrt{ut} \text{ for } 0 \leq u \leq t, \quad \phi(u, t) = u + t \text{ for } t \leq u \quad (1.21)$$

with $p < 1/2, \gamma = q - p$. Anomalous fluctuations are expected to be seen in the window $0 < u < \gamma t$ not too close to the boundary points.

The three examples discussed above require distinct techniques in their analysis. The first example uses that, upon judiciously choosing dummy variables, there is an embedded signed determinantal process. In the second example one derives a Fredholm determinant for the generating function $\mathbb{E}(\exp[-\zeta e^{x_j(t)}])$ with $\zeta \in \mathbb{C}, \Re \zeta > 0$. In contrast our analysis is based on self-duality of the particle system. $x_j(t)$ is replaced by $N(u, t)$, which is the number of particles to the left of u at time t , i.e. the largest j such that $x_j(t) \leq u$. e is replaced by $\tau = p/q < 1$ and \exp by the τ -deformed exponential e_τ . Following the strategy in [10], we arrive at a Fredholm determinant for the expectation $\mathbb{E}(e_\tau(\zeta \tau^{N(u,t)}))$. This is our main result. To establish the connection to KPZ universality, we add a heuristic discussion of a saddle point analysis for this Fredholm determinant. To prove duality we need some information on the transition probability, which will be provided in a form following from the Bethe ansatz. Such a formula could be of use also in other applications.

2 Brownian motions with point interactions, self-duality

We consider n interacting Brownian particles governed by the asymmetric dynamics of Eq. (1.9). Point interactions are realized through a sequence of potentials, V_ϵ , which are repulsive, diverge sufficiently rapidly as $|u| \rightarrow 0$, and whose range shrinks to zero as $\epsilon \rightarrow 0$. More precisely, we start from a reference potential $V \in C^2(\mathbb{R} \setminus \{0\}, \mathbb{R}_+)$ with the properties $V(u) = V(-u)$, $\text{supp } V = [-1, 1]$, $V'(u) \leq 0$ for $u > 0$, and, for some $\delta > 0$, $\lim_{u \rightarrow 0} |u|^\delta V(u) > 0$. The scaled potential is defined by $V_\epsilon(u) = V(u/\epsilon)$ and the corresponding diffusion process is denoted by $y^\epsilon(t)$. Since the potential is entrance - no exit [30], the positions can be ordered as $y_1^\epsilon(t) \leq \dots \leq y_m^\epsilon(t)$. Hence $y^\epsilon(t) \in \mathbb{W}_m^+$, the Weyl chamber in \mathbb{R}^m such that the left-right order is according to increasing index. Since the particle order is preserved, we deviate slightly from the viewpoint of the introduction and regard the positions of particles as a point configuration in \mathbb{R} . As will be proved in Appendix B, there exists a limit process, $y(t) \in \mathbb{W}_m^+$, such that $\lim_{\epsilon \rightarrow 0} y^\epsilon(t) = y(t)$.

Presumably the limit holds a.s. in the sup norm, but for our purposes it suffices to prove that $\lim_{\epsilon \rightarrow 0} \mathbb{E}((y^\epsilon(t) - y(t))^2) = 0$. The limit process $y(t)$ is Brownian motion with point interaction, also known as Brownian motion with oblique reflection.

$y(t)$ is a semi-martingale satisfying

$$y_j(t) = y_j + B_j(t) - p\Lambda^{(j,j+1)}(t) + q\Lambda^{(j-1,j)}(t), \tag{2.1}$$

$t \geq 0, j = 1, \dots, m$. Here $p + q = 1, 0 \leq p \leq 1$, and by definition $\Lambda^{(0,1)}(t) = 0 = \Lambda^{(m,m+1)}(t)$.

$$\Lambda^{(j,j+1)}(\cdot) = L^{y_{j+1}-y_j}(\cdot, 0) \tag{2.2}$$

is the right-sided local time accumulated at the origin by the nonnegative martingale $y_{j+1}(\cdot) - y_j(\cdot)$. So $y_j(t)$ is pushed to the left with fraction p of the local time whenever $y_j(t) = y_{j+1}(t)$ and it is pushed to the right with fraction q of the local time whenever $y_j(t) = y_{j-1}(t)$, which implies that the drift always pushes towards the interior of W_m^+ . If $q = 1$, $y_{j+1}(t)$ is reflected at $y_j(t)$. In particular, $y_1(t)$ is Brownian motion. If $q = 1/2$, the dynamics corresponds to independent Brownian motions with ordering of labels maintained. In [28] it is proved that (2.1) has a unique strong solution. Furthermore, triple collisions, i.e. the sets $\{y_j(t) = y_{j+1}(t) = y_{j+2}(t) \text{ for some } t\}$, have probability 0.

Let $f : W_m^+ \rightarrow \mathbb{R}$ be a C^2 -function and define

$$f(y, t) = \mathbb{E}_y(f(y(t))) \tag{2.3}$$

with \mathbb{E}_y denoting expectation of the $y(t)$ process of (2.1) starting at $y \in W_m^+$. As proved in Section 6, it holds

$$\partial_t f = \frac{1}{2} \Delta_y f \tag{2.4}$$

for $y \in (W_m^+)^{\circ}$ and

$$(p\partial_j - q\partial_{j+1})f|_{y_j=y_{j+1}} = 0, \tag{2.5}$$

the directional derivative being taken from the interior of W_m^+ . $q = 1/2$ corresponds to normal reflection at ∂W_m^+ . With this boundary condition Δ_y is a self-adjoint operator. $q \neq 1/2$ is also referred to as oblique reflection at ∂W_m^+ [45, 23].

In addition to the y -particles we introduce n dual particles denoted by $(x_1(t), \dots, x_n(t)) = x(t)$. They are ordered as $x_n \leq \dots \leq x_1$, hence $x \in W_n^-$, the Weyl chamber in \mathbb{R}^n such that the left-right order is according to decreasing index. For the dual particles the role of q and p is interchanged. Thus their dynamics is still governed by (2.1) with $\Lambda^{(j,j+1)}(\cdot) = L^{x_j-x_{j+1}}(\cdot, 0)$. Also the boundary condition (2.5) remains valid, the directional derivative being taken from the interior of W_n^- .

The main goal of this section is to establish that the $x(t)$ process is dual to the $y(t)$ process. The duality function is defined by

$$H(x, y) = \prod_{j=1}^n \prod_{i=1}^m \tau^{\theta(x_j - y_i)}, \tag{2.6}$$

where $\tau = p/q$ and throughout we restrict to the case $0 < \tau < 1$. $\theta(u) = 0$ for $u \leq 0$ and $\theta(u) = 1$ for $u > 0$. Such type of duality is known also for other stochastic particle systems [26], in particular for the ASEP [10].

Theorem 2.1. *Pointwise on $W_n^- \times W_m^+$ it holds*

$$\mathbb{E}_x(H(x(t), y)) = \mathbb{E}_y(H(x, y(t))). \tag{2.7}$$

Proof. We first compute the distributional derivative of H . Setting $\partial_{x_\alpha} = \partial/\partial x_\alpha$ for $\alpha = 1, \dots, n$, one obtains

$$\begin{aligned} \partial_{x_\alpha} H(x, y) &= -(1 - \tau) \sum_{\beta=1}^m \delta(x_\alpha - y_\beta) \prod_{\substack{i'=1 \\ i' \neq \beta}}^m \tau^{\theta(x_\alpha - y_{i'})} \prod_{\substack{j=1 \\ j \neq \alpha}}^n \prod_{i=1}^m \tau^{\theta(x_j - y_i)} \\ &= -(1 - \tau) \sum_{\beta=1}^m \delta(x_\alpha - y_\beta) \prod_{\substack{j'=1 \\ j' \neq \alpha}}^n \tau^{\theta(x_{j'} - y_\beta)} \prod_{\substack{i'=1 \\ i' \neq \beta}}^m \tau^{\theta(x_\alpha - y_{i'})} \prod_{\substack{j=1 \\ j \neq \alpha}}^n \prod_{\substack{i=1 \\ i \neq \beta}}^m \tau^{\theta(x_j - y_i)}. \end{aligned} \quad (2.8)$$

By interchanging x_α and y_β one arrives at

$$\begin{aligned} \partial_{x_\alpha} H(x, y) &= -(1 - \tau) \sum_{\beta=1}^m \delta(x_\alpha - y_\beta) \prod_{\substack{j'=1 \\ j' \neq \alpha}}^n \tau^{\theta(x_{j'} - x_\alpha)} \prod_{\substack{i'=1 \\ i' \neq \beta}}^m \tau^{\theta(y_\beta - y_{i'})} \prod_{\substack{j=1 \\ j \neq \alpha}}^n \prod_{\substack{i=1 \\ i \neq \beta}}^m \tau^{\theta(x_j - y_i)} \\ &= -(1 - \tau) \sum_{\beta=1}^m \delta(x_\alpha - y_\beta) \tau^{\alpha-1} \tau^{\beta-1} \prod_{\substack{j=1 \\ j \neq \alpha}}^n \prod_{\substack{i=1 \\ i \neq \beta}}^m \tau^{\theta(x_j - y_i)}. \end{aligned} \quad (2.9)$$

Correspondingly for the derivative w.r.t. y_β ,

$$\partial_{y_\beta} H(x, y) = (1 - \tau) \sum_{\alpha=1}^n \delta(x_\alpha - y_\beta) \tau^{\beta-1} \tau^{\alpha-1} \prod_{\substack{j=1 \\ j \neq \alpha}}^n \prod_{\substack{i=1 \\ i \neq \beta}}^m \tau^{\theta(x_j - y_i)}. \quad (2.10)$$

Let us set $\mathcal{D}(L_x) = C_{0, \text{bc}}^2(\mathbb{W}_n^-, \mathbb{R})$, the set of all twice continuously differentiable functions vanishing rapidly at infinity and with boundary conditions

$$(p\partial_j - q\partial_{j+1})f|_{x_j=x_{j+1}} = 0. \quad (2.11)$$

As will be discussed in Section 6, the generator L_x of the diffusion process $x(t)$ is given by $L_x = \frac{1}{2}\Delta_x$ on the domain $\mathcal{D}(L_x)$ and correspondingly for L_y . The integral kernel of $e^{L_x t}$, denoted by $P_x^-(dx', t)$, is the transition probability for $x(t)$. It has a density, $P_x^-(dx', t) = P_x^-(x', t)dx'$. $P_x^-(x', t)$ is C^∞ in both x, x' when restricted to the set $(\mathbb{W}_n^- \setminus \{x | x_j = x_{j+1} = x_{j+2}, j = 1, \dots, n - 2\})^{\times 2}$. Correspondingly $P_y^+(y', t)$ defines the transition density for the $y(t)$ process.

Lemma 2.2. *Let $f \in C_0^2(\mathbb{W}_m^+, \mathbb{R})$ and define*

$$F(x) = \int_{\mathbb{W}_m^+} H(x, y)f(y)dy. \quad (2.12)$$

Then $F \in \mathcal{D}(L_x)$.

Proof. Since H is a product of convolutions, $F \in C_0^2(\mathbb{W}_n^-, \mathbb{R})$. We use (2.8) for $\alpha = j, j + 1$. Then

$$(\tau\partial_j - \partial_{j+1})F|_{x_j=x_{j+1}} = 0. \quad (2.13)$$

□

By the fundamental theorem of calculus, for $0 < \epsilon < t - \epsilon$,

$$(e^{L_x(t-\epsilon)} \otimes e^{L_y \epsilon} H)(x, y) - (e^{L_x \epsilon} \otimes e^{L_y(t-\epsilon)} H)(x, y) = \int_\epsilon^{t-\epsilon} ds \frac{d}{ds} (e^{L_x s} \otimes e^{L_y(t-s)} H)(x, y). \quad (2.14)$$

By Lemma 2.2 and for $\epsilon \leq s \leq t - \epsilon$ the function

$$x \mapsto \int_{\mathbb{W}_m^+} dy' P_y^+(y', s) H(x, y') \in \mathcal{D}(L_x) \tag{2.15}$$

and correspondingly for y . Hence one can differentiate in (2.14) and obtains

$$\begin{aligned} & (e^{L_x(t-\epsilon)} \otimes e^{L_y\epsilon} H)(x, y) - (e^{L_x\epsilon} \otimes e^{L_y(t-\epsilon)} H)(x, y) \\ &= \int_{\epsilon}^{t-\epsilon} ds \int_{\mathbb{W}_n^-} dx' \int_{\mathbb{W}_m^+} dy' P_x^-(x', s) P_y^+(y', t-s) (L_x H(x', y') - L_y H(x', y')). \end{aligned} \tag{2.16}$$

Since the transition probabilities are smooth, $L_x H$ and $L_y H$ can be obtained as distributional derivatives. Hence

$$\Delta_x H(x, y) = -(1 - \tau) \sum_{\alpha=1}^n \sum_{\beta=1}^m \delta'(x_\alpha - y_\beta) \tau^{\beta-1} \tau^{\alpha-1} \prod_{\substack{j=1 \\ j \neq \alpha}}^n \prod_{\substack{i=1 \\ i \neq \beta}}^m \tau^{\theta(x_j - y_i)} = \Delta_y H(x, y) \tag{2.17}$$

and

$$(e^{L_x(t-\epsilon)} \otimes e^{L_y\epsilon} H)(x, y) = (e^{L_x\epsilon} \otimes e^{L_y(t-\epsilon)} H)(x, y). \tag{2.18}$$

We integrate Eq. (2.18) against the smooth function $f_1(x)f_2(y)$. By continuity we can take the limit $\epsilon \rightarrow 0$. The integrand of the resulting identity is continuous in x, y and the identity (2.7) holds pointwise. \square

Remark. An alternative proof, based on ASEP duality, is discussed in Appendix C.

3 Half-line Poisson as initial conditions, contour integrations

We want to study the $y(t)$ -process in case the particles are initially distributed according to a Poisson point process with density profile $\rho(u) = \theta(u)$. By space-time scaling, the density 1 on the half-line could be changed to any other value. The initial macroscopic height profile is then $h(x, 0)$ for $x \leq 0$ and $h(x, 0) = x$ for $x > 0$. In the course of time the wedge is expected to smoothen with superimposed KPZ fluctuations characteristic for droplet growth. Since for such initial condition the $y(t)$ -process has an infinite number of particles, our previous results cannot be used directly. So let us choose the density of the initial Poisson point process as $\rho_\ell(u) = 1$ for $0 \leq u \leq \ell$ and $\rho_\ell(u) = 0$ otherwise, which results in a finite number of particles. Let us denote by $N(u; y)$ the number of particles in the configuration y located in $(-\infty, u]$ and set $N(u, t) = N(u; y(t))$ as a random variable. We first average the duality function over the Poisson point process with density ρ_ℓ ,

$$\begin{aligned} \mathbb{E}_{\text{poi}, \ell}(H(x, \cdot)) &= \mathbb{E}_{\text{poi}, \ell} \left(\prod_{j=1}^n \prod_{i=1}^{\infty} \tau^{\theta(x_j - y_i)} \right) = \mathbb{E}_{\text{poi}, \ell} \left(\prod_{j=1}^n \tau^{N(x_j; y)} \right) \\ &= \exp \left[\int_0^\ell du' \left(\prod_{j=1}^n \tau^{\theta(x_j - u')} - 1 \right) \right] = \tilde{F}_n^\ell(x), \end{aligned} \tag{3.1}$$

which defines \tilde{F}_n^ℓ . Next the duality relation (2.7) is averaged over the Poisson point process with the result

$$\tilde{F}_n^\ell(x, t) = \mathbb{E}_x(\tilde{F}_n^\ell(x(t))) = \mathbb{E}_\ell \left(\prod_{j=1}^n \tau^{N(x_j, t)} \right). \tag{3.2}$$

Here \mathbb{E}_ℓ refers to the $y(t)$ -particle process with initial Poisson of density ρ_ℓ .

Setting $x_j = u$ for $j = 1, \dots, n$ yields the n -th moment of $\tau^{N(u,t)}$,

$$\mathbb{E}_\ell(\tau^{nN(u,t)}) = \mathbb{E}_{(u,\dots,u)}(\tilde{F}_n^\ell(x(t))) = \tilde{F}_n^\ell(u, \dots, u, t). \tag{3.3}$$

Since $N(u, t) \geq 0$ and $\tau < 1$, the moments on the left hand side of (3.3) determine uniquely the distribution of $N(u, t)$. Let us denote the corresponding random variable by $N_\ell(u, t)$. For fixed n in the limit $\ell \rightarrow \infty$, \tilde{F}_n^ℓ converges to \tilde{F}_n , $\tilde{F}_n^\ell(t)$ converges to $\tilde{F}_n(t)$, and the expression on the right hand side of (3.3) converges to $\tilde{F}_n(u, \dots, u, t)$. Hence in distribution $N_\ell(u, t) \rightarrow N_\infty(u, t)$ as $\ell \rightarrow \infty$ and

$$\mathbb{E}(\tau^{nN_\infty(u,t)}) = \tilde{F}_n(u, \dots, u, t). \tag{3.4}$$

Next we provide a formula for $\tilde{F}_n(t)$ at general arguments.

Theorem 3.1. *Let F_n be defined through*

$$F_n(x, t) = \tau^{n(n-1)/2} \int_{\mathcal{C}} dz_1 \dots dz_n \prod_{j=1}^n \frac{1}{z_j} \cdot \frac{\tau - 1}{z_j + (1 - \tau)} e^{x_j z_j + \frac{1}{2} t z_j^2} \prod_{1 \leq A < B \leq n} \frac{z_B - z_A}{z_B - \tau z_A}, \tag{3.5}$$

where the contours are $\mathcal{C}_j = \{a_j + i\varphi, \varphi \in \mathbb{R}\}$ and nested as $-(1 - \tau) < a_1 < \dots < a_n < 0$ such that $\tau a_j < a_{j+1}$. Then $F_n(x, t) = \tilde{F}_n(x, t)$.

Remark. It is understood throughout that the contour integration includes the prefactor $1/2\pi i$.

Proof. (i) *evolution equation, uniform bound.* By inspection

$$\partial_t F_n(x, t) = \frac{1}{2} \Delta_x F_n(x, t) \tag{3.6}$$

for $x \in (\mathbb{W}_n^-)^\circ$. We consider the boundary condition (2.13) with directional derivative taken from $(\mathbb{W}_n^-)^\circ$. One has

$$\begin{aligned} (\partial_{\ell+1} - \tau \partial_\ell) F(x, t) \Big|_{x_\ell = x_{\ell+1}} &= \tau^{n(n-1)/2} \int_{\mathcal{C}} dz_1 \dots dz_n \prod_{j=1}^n \frac{1}{z_j} \cdot \frac{\tau - 1}{z_j + (1 - \tau)} e^{\frac{1}{2} t z_j^2} \\ &\times \left(\prod_{\substack{j=1 \\ j \neq \ell, \ell+1}}^n e^{x_j z_j} \right) (z_{\ell+1} - z_\ell) e^{x_\ell (z_\ell + z_{\ell+1})} \prod_{\substack{1 \leq A < B \leq n \\ (A,B) \neq (\ell, \ell+1)}} \frac{z_B - z_A}{z_B - \tau z_A}. \end{aligned} \tag{3.7}$$

The integrand has no poles in the strip bordered by \mathcal{C}_ℓ and $\mathcal{C}_{\ell+1}$. Hence \mathcal{C}_ℓ can be moved on top of $\mathcal{C}_{\ell+1}$. The integrand is odd under interchanging z_ℓ and $z_{\ell+1}$ and the right hand side of (3.7) vanishes.

From the explicit form on the right hand side of (3.5) we infer that F_n is bounded and continuous.

(ii) *initial conditions.* We have to show that $\lim_{t \rightarrow 0} F_n(x, t) = \tilde{F}_n(x)$. Note that the integrand in (3.5) has an integrable bound at infinity uniformly in t and hence one can set $t = 0$. We define the sector S_ℓ by

$$x_n < \dots < x_{\ell+1} < 0 < x_\ell < \dots < x_1 \tag{3.8}$$

with $\ell = 1, \dots, n$. Then

$$\tilde{F}_n(x) \Big|_{S_\ell} = \exp \left[- (1 - \tau) \sum_{j=1}^\ell \tau^{j-1} x_j \right] \tag{3.9}$$

and $F_n(x, 0)$ will be computed for the sector S_ℓ . Since $0 < x_\ell < \dots < x_1$, $\exp(x_j z_j)$ decays exponentially as $\Re z_j \rightarrow -\infty$, $j = 1, \dots, \ell$, and the contours $\mathcal{C}_1, \dots, \mathcal{C}_\ell$ can be deformed to

circles around $z = -(1 - \tau)$, maintaining the nesting condition. Correspondingly, since $x_n < \dots < x_{\ell+1} < 0$, the contours $\mathcal{C}_{\ell+1}, \dots, \mathcal{C}_n$ can be deformed to circles around $z = 0$, maintaining the nesting condition.

We integrate first over z_1 . Then on S_ℓ , denoting the deformed contours by $\tilde{\mathcal{C}}_j$,

$$\begin{aligned}
 F_n(x, 0) &= \tau^{n(n-1)/2} \int_{\tilde{\mathcal{C}}} dz_2 \dots dz_n \int_{\tilde{\mathcal{C}}_1} dz_1 \prod_{j=1}^n \frac{1}{z_j} \cdot \frac{\tau - 1}{z_j + (1 - \tau)} e^{x_j z_j} \prod_{1 \leq A < B \leq n} \frac{z_B - z_A}{z_B - \tau z_A} \\
 &= e^{-(1-\tau)x_1} \tau^{n(n-1)/2} \int_{\tilde{\mathcal{C}}} dz_2 \dots dz_n \prod_{j=2}^n \frac{1}{z_j} \cdot \frac{\tau - 1}{z_j + \tau(1 - \tau)} e^{x_j z_j} \prod_{2 \leq A < B \leq n} \frac{z_B - z_A}{z_B - \tau z_A}.
 \end{aligned} \tag{3.10}$$

Iterating the integrations over z_2, \dots, z_ℓ yields

$$\begin{aligned}
 F_n(x, 0) &= \tau^{n(n-1)/2} \tau^{-1} \dots \tau^{-(\ell-1)} e^{-(1-\tau)x_1} \dots e^{-\tau^{(\ell-1)}(1-\tau)x_\ell} \\
 &\quad \times \int_{\tilde{\mathcal{C}}} dz_{\ell+1} \dots dz_n \prod_{j=\ell+1}^n \frac{1}{z_j} \cdot \frac{\tau - 1}{z_j + \tau^\ell(1 - \tau)} e^{x_j z_j} \prod_{\ell+1 \leq A < B \leq n} \frac{z_B - z_A}{z_B - \tau z_A}.
 \end{aligned} \tag{3.11}$$

Next we integrate successively over z_n up to $z_{\ell+1}$. Abbreviating

$$\varpi = \sum_{j=1}^{\ell-1} j + \sum_{j=\ell}^{n-2} (n - j - 1) + \ell(n - \ell), \tag{3.12}$$

one obtains

$$F_n(x, 0) = \tau^{n(n-1)/2} e^{-(1-\tau)x_1} \dots e^{-\tau^{(\ell-1)}(1-\tau)x_\ell} \tau^{-\varpi} = \tilde{F}_n(x). \tag{3.13}$$

(iii) *uniqueness.* To show that necessarily $\tilde{F}_n(x, t) = F_n(x, t)$, we adopt an argument of Warren in a similar context [46]. Let us consider $F_n(x(t), T + \epsilon - t)$, $0 \leq t \leq T$ with $\epsilon > 0$ to have F_n a smooth function. By Ito's formula

$$\begin{aligned}
 dF_n(x(t), T + \epsilon - t) &= \left(-\partial_t F_n(x(t), T + \epsilon - t) + \frac{1}{2} \Delta_x F_n(x(t), T + \epsilon - t) \right) dt \\
 &\quad + \sum_{j=1}^n \partial_{x_j} F_n(x(t), T + \epsilon - t) (dB_j(t) - pd\Lambda^{(j,j+1)}(t) + qd\Lambda^{(j-1,j)}(t)).
 \end{aligned} \tag{3.14}$$

The dt term vanishes because of (3.6) and the Skorokhod term vanishes, because F_n satisfies the boundary condition (2.13). Hence

$$\mathbb{E}_x(F_n(x(\epsilon), T)) = \mathbb{E}_x(F_n(x(T), \epsilon)). \tag{3.15}$$

Since F_n is bounded, by dominated convergence, in the limit $\epsilon \rightarrow 0$ one obtains

$$F_n(x, T) = \mathbb{E}_x(F_n(x(T), 0)) = \mathbb{E}_x(\tilde{F}_n(x(T))) = \tilde{F}_n(x, T), \tag{3.16}$$

as claimed. □

Together with (3.4) we arrive at

Corollary 3.2.

$$\mathbb{E}(\tau^{nN_\infty(u,t)}) = F_n(u, \dots, u, t) \tag{3.17}$$

with $F_n(t)$ as defined in (3.5).

4 From moments to a Fredholm determinant

To conform with the notation in [7] we relabel z_1, \dots, z_n to z_n, \dots, z_1 . Then, by the results of Sect. 3,

$$\mathbb{E}(\tau^{nN_\infty(u,t)}) = (-1)^n \tau^{n(n-1)/2} \int_C dz_1 \dots dz_n \prod_{j=1}^n \frac{1}{z_j} f(z_j; u, t) \prod_{1 \leq A < B \leq n} \frac{z_A - z_B}{z_A - \tau z_B} \quad (4.1)$$

with

$$f(z; u, t) = \frac{1 - \tau}{z + (1 - \tau)} e^{uz + \frac{1}{2}tz^2}. \quad (4.2)$$

The goal of this section is to obtain a Fredholm determinant for the τ -deformed generating function of $\zeta \tau^{N_\infty(u,t)}$, i.e.,

$$\mathbb{E}(e_\tau(\zeta \tau^{N_\infty(u,t)})) = \mathbb{E}\left(\frac{1}{(\zeta \tau^{N_\infty(u,t)}; \tau)_\infty}\right). \quad (4.3)$$

The required definitions for τ -deformed objects are well summarized in Appendix A of [10].

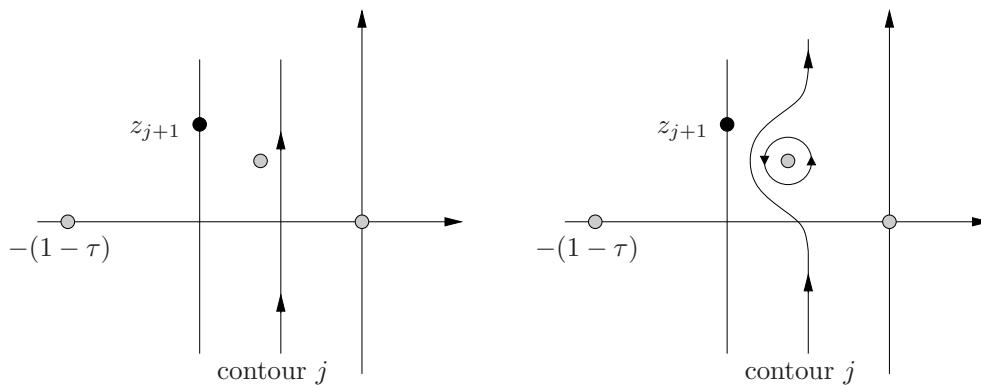


Figure 1: A single move in unnesting the contours. Displayed is only the move of contour j across the singularity at the gray dot τz_{j+1} generated by a fixed point on contour $j + 1$.

The first step is to remove the nesting constraint by moving the contours. In Fig. 1 we display a single move. z_{j+1} is fixed and the integration is over z_j . The singularity for z_j is at τz_{j+1} . We deform the z_j contour across the singularity and thereby pick up a pole contribution, which is evaluated by the residue theorem. The resulting combinatorial structure is identical to that of Proposition 3.2.1 in [6]. In the case of unbounded contours, the same combinatorial identity is stated in Proposition 4.11 of [7] upon identifying μ_n with $\mathbb{E}(\tau^{nN_\infty(u,t)})$. The function $f(z)$ in Proposition 4.11 is our $f(z; u, t)$, which has a single pole at $-(1 - \tau)$ implying the simplification $N = 1$. Hence

$$\begin{aligned} \mathbb{E}(\tau^{nN_\infty(u,t)}) &= n_\tau! \sum_{\substack{\lambda \vdash n \\ \lambda = 1^{m_1} 2^{m_2} \dots}} \frac{1}{m_1! m_2! \dots} \\ &\times (1 - \tau)^n \int_{C_r} \det \left[\frac{1}{w_i \tau^{\lambda_i} - w_j} \right]_{i,j=1}^{\ell(\lambda)} \prod_{j=1}^{\ell(\lambda)} f(w_j; u, t) \dots f(w_j \tau^{\lambda_j - 1}; u, t) dw_j. \quad (4.4) \end{aligned}$$

The w_j -contours are all the same and given by $C_r = \{-\delta + i\varphi, \varphi \in \mathbb{R}\}$ with $0 < \delta < 1 - \tau$. The notation $\lambda \vdash n$ above means that λ partitions n , i.e. if $\lambda = (\lambda_1, \lambda_2, \dots)$ then $n = \sum \lambda_i$,

and the notation $\lambda = 1^{m_1} 2^{m_2} \dots$ means that i shows up m_i times in the partition λ . Not unexpected, for the ASEP a similar type of formula holds [10, 9]

Rearranging terms and using the τ -binomial theorem, one arrives at a Fredholm determinant of the τ -deformed generating function (4.3).

Proposition 4.1. *There exists a positive constant $C \geq 1$ s.t. for all $|\zeta| < C^{-1}$,*

$$\mathbb{E} \left[\frac{1}{(\zeta \tau^{N_\infty(u,t/\gamma)}; \tau)_\infty} \right] = \det(1 + K)_{L^2(\mathbb{Z}_{>0} \times \mathcal{C}_\tau)}, \tag{4.5}$$

where the operator K is defined through the integral kernel

$$K(n_1, w_1; n_2, w_2) = \frac{\zeta^{n_1} f(w_1; u, t) f(\tau w_1; u, t) \cdots f(\tau^{n_1-1} w_1; u, t)}{\tau^{n_1} w_1 - w_2}. \tag{4.6}$$

Proof. In its algebraic steps the proof is identical to the one given in Section 7.1 of [7]. We only need to verify that the Fredholm expansion is well-defined also in our case. Clearly, for all $n \geq 1$ and on \mathcal{C}_τ ,

$$|\tau^n w_1 - w_2| \geq (1 - \tau)\delta. \tag{4.7}$$

Also

$$|f(w; u, t) f(\tau w; u, t) \cdots f(\tau^{n-1} w; u, t)| \leq (c_2)^n e^{-c_3 \varphi^2} \tag{4.8}$$

for constants $c_2, c_3 > 0$. This ensures the convergence of the Fredholm expanded determinant for sufficiently small $|\zeta|$. \square

The Fredholm determinant in (4.5) is not yet suitable for asymptotics and one has to replace the sum over n by a contour integral, which is achieved by a Mellin-Barnes type integral representation, see Lemma 3.2.13 of [6]. We introduce h as the solution of $f(z, t) = h(z, t)/h(\tau z, t)$. Then

$$h(z, t) = \exp \left[\left(u(1 - \tau)^{-1} z + \frac{1}{2} \gamma t (1 - \tau)^{-2} z^2 \right) \right] \frac{1}{(- (1 - \tau)^{-1} z; \tau)_\infty} \tag{4.9}$$

with $\gamma = q - p$. Clearly the natural units are γt and $w = (1 - \tau)^{-1} z$ and we set

$$h((1 - \tau)w, t/\gamma) = \tilde{h}(w, t) = e^{uw + \frac{1}{2}tw^2} \frac{1}{(-w; \tau)_\infty}. \tag{4.10}$$

We also need the integration contour, \mathcal{C}_w , as displayed in Fig. 2. This contour is reflection symmetric relative to the real axis and piecewise linear with starting point $\frac{1}{2}$, moving then to $\frac{1}{2} + id$, then to $R + id$, and finally to $R + i\infty$, $d > 0, R \geq \frac{1}{2}$.

Lemma 4.2. *Let $w = -\delta + i\varphi \in \mathcal{C}_\tau$ and let $R = R(\varphi)$ and $d = d(\varphi)$ such that for small $|\varphi|$, $R(\varphi) = \frac{1}{2}$ and $d(\varphi) = c_4$, and for large $|\varphi|$, $R(\varphi) = c_5 \log |\varphi|$ and $d(\varphi) = c_6/|\varphi|$ with $c_4, c_5, c_6 > 0$ and independent of φ . Then one can choose the constants c_4, c_5, c_6 such that*

$$|\tau^s w - w'| \geq a_0 > 0 \tag{4.11}$$

uniformly for all $w, w' \in \mathcal{C}_\tau$ and $s \in \mathcal{C}_w$.

Proof. Our contour \mathcal{C}_w equals the contour $\tilde{\mathcal{D}}_w$ of [7]. Our contour \mathcal{C}_τ equals $\tilde{\mathcal{C}}_{\tilde{\alpha}, \varphi}$ with $\varphi = \frac{\pi}{2}$. The arguments of Definition 4.8 and Remark 4.9 of [7] still apply and assert our claim. \square

Theorem 4.3. Let $\zeta \in \mathbb{C} \setminus \mathbb{R}_+$ and let the operator K_ζ be defined by the integral kernel

$$K_\zeta(w, w') = \int_{\mathcal{C}_w} ds \Gamma(-s) \Gamma(1+s) (-\zeta)^s \frac{\tilde{h}(w, t)}{\tilde{h}(\tau^s w, t)} \frac{1}{\tau^s w - w'} \tag{4.12}$$

with $w, w' \in \mathcal{C}_\tau$ and \mathcal{C}_w as in Lemma 4.2. Then

$$\mathbb{E} \left(\frac{1}{(\zeta \tau^{N_\infty(u, t/\gamma)}; \tau)_\infty} \right) = \det(1 + K_\zeta)_{L^2(\mathcal{C}_\tau)}. \tag{4.13}$$

Proof. Our theorem is in close analogy to Theorem 4.13 in [7]. When comparing Eq. (4.13) of [7] for the particular case $N = 1$ with our Eq. (4.9), one notes that, upon setting $q = \tau$, the function $g_{w, w'}(q^s)$ is identical to $\tilde{h}(w, t)/\tilde{h}(\tau^s w, t)(\tau^s w - w')$ except for the exponential factor, for which

$$\exp(w(q^s - 1)) \text{ is to be replaced by } \exp\left(u(1 - \tau^s)w + \frac{1}{2}tw^2(1 - \tau^{2s})\right). \tag{4.14}$$

The s -integration is along the same contour. Only the w -integration is along $\tilde{\mathcal{C}}_{\tilde{\alpha}, \varphi}$ in [7], while we integrate along \mathcal{C}_τ . For the proof of Theorem 4.13 the properties of the exponential factor are used only in Eq. (7.6) of [7], which is replaced by

$$\left| \exp\left(u(1 - \tau^s)w + \frac{1}{2}tw^2(1 - \tau^{2s})\right) \right| \leq \exp(b_1 + b_2|\varphi| - b_3\varphi^2) \leq c_0 e^{-c_1\varphi^2}, \tag{4.15}$$

valid on \mathcal{C}_τ . Such an estimate holds, since the left hand side is bounded as $|\exp(\cdot)| \leq \exp(b_1 + b_2|\varphi| - b_3\varphi^2)$, where $b_3 = 1 - (\Re \tau^s)^2 + (\Im \tau^s)^2 \geq 1 - \tau$. The φ^2 term thus dominates the linear term. Our Gaussian bound replaces the exponential bound of Eq. (7.6) in [7]. The remainder of the proof follows verbatim Section 7.2 of [7]. \square

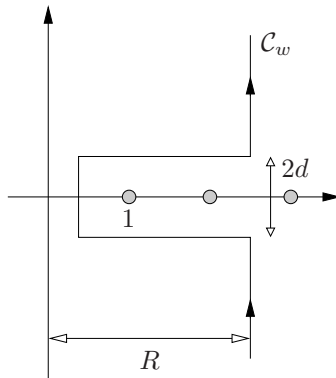


Figure 2: Complex s -plane and the integration contour \mathcal{C}_w . Poles of the integrand are located at the positive integers.

5 Formal asymptotics

To obtain the long time asymptotics of $N_\infty(u, t/\gamma)$ requires a steepest decent analysis of the kernel K_ζ of (4.12). Here we only identify the saddle point and its expansion close to the saddle. Thereby the GUE asymptotics becomes visible. For a complete proof a more detailed analysis of the steepest decent path would have to be carried out. There are other models in the KPZ class for which such kind of analysis has been accomplished, see [1, 7, 20, 8] as examples.

One first has to figure out the law of large numbers for $N_\infty(u, t)$. The quick approach is to use the ASEP, $\frac{1}{2} < q \leq 1$, with step initial conditions. On the macroscopic scale the density, ρ , is governed by

$$\partial_t \rho - \gamma \partial_u (\rho - \rho^2) = 0, \tag{5.1}$$

see [4]. In the low density limit one has to shift to the moving frame, which amounts to substituting ρ by $\tilde{\rho}(u, t) = \rho(u + \gamma t, t)$. Then $\tilde{\rho}$ satisfies

$$\partial_t \tilde{\rho} + \gamma \partial_u \tilde{\rho}^2 = 0. \tag{5.2}$$

The solution with initial data $\tilde{\rho}(u, 0) = \theta(u)$ reads $\tilde{\rho}(u, t/\gamma) = u/2t$ for $0 \leq u \leq 2t$. We scale $u = at$ with $a > 0$ and eventually $t \rightarrow \infty$. Then to leading order

$$N_\infty(at, t/\gamma) = \frac{1}{4}a^2t, \quad 0 \leq a \leq 2, \quad N(at, t/\gamma) = (a - 1)t, \quad 2 \leq a. \tag{5.3}$$

For $a > 2$ one expects to have Gaussian fluctuations of size \sqrt{t} , while for $a < 2$ the fluctuations should be KPZ like of size $t^{1/3}$. In the following we restrict to $0 < a < 2$. The same law of large numbers can be obtained from Eq. (1.11) for the macroscopic stretch ℓ , by noting that $P(\ell) = \ell^{-1}$ for point interactions.

We substitute $z = \tau^s w$, $s \log \tau = \log z - \log w$ and set

$$-\zeta = \tau^{-\frac{1}{4}a^2t + rt^{1/3}}, \quad (-\zeta)^s = \exp\left(\left(-\frac{1}{4}a^2t + rt^{1/3}\right)(\log z - \log w)\right). \tag{5.4}$$

Inserting on the left hand side of (4.13), it follows, see [7], Lemma 4.1.39, that

$$\lim_{t \rightarrow \infty} \mathbb{E}\left(\frac{1}{(\zeta \tau^{N_\infty(u, t/\gamma)}; \tau)_\infty}\right) = \lim_{t \rightarrow \infty} \mathbb{P}\left(t^{-1/3}(N_\infty(u, t/\gamma) - \frac{1}{4}a^2t) \geq -r\right). \tag{5.5}$$

Thus we have to study the corresponding limit on the right hand side of (4.12). In the new coordinates the kernel reads

$$K_\zeta(w, w') = \frac{1}{\log \tau} \int_{\mathcal{C}_w} dz \frac{1}{z} \cdot \frac{1}{z - w'} \cdot \frac{\pi}{\sin(\pi(\log \tau)^{-1}(\log w - \log z))} \\ \times \exp\left(t(G(z) - G(w)) + rt^{1/3}(\log z - \log w)\right) \cdot \frac{(-z; \tau)_\infty}{(-w; \tau)_\infty}, \tag{5.6}$$

where

$$G(z) = -\frac{1}{2}z^2 - az - \frac{1}{4}a^2 \log z. \tag{5.7}$$

Note that

$$G'(z) = -\frac{1}{z}\left(z + \frac{1}{2}a\right)^2, \quad G'(z_c) = 0 \text{ at } z_c = -\frac{1}{2}a, \quad G''(z_c) = 0, \quad G'''(z_c) = -\frac{2}{z_c}. \tag{5.8}$$

We expand the kernel at the saddle by setting $z = z_c(1 + t^{-1/3}\tilde{z})$, $w = z_c(1 + t^{-1/3}\tilde{w})$, $w' = z_c(1 + t^{-1/3}\tilde{w}')$. Then, in the limit $t \rightarrow \infty$,

$$\frac{1}{z} dz \simeq t^{-1/3} d\tilde{z}, \quad \frac{1}{z - w'} = \frac{t^{1/3}}{z_c(\tilde{z} - \tilde{w}')}, \tag{5.9}$$

$$\frac{1}{\log \tau} \cdot \frac{\pi}{\sin(\pi(\log \tau)^{-1}(\log w - \log z))} \simeq \frac{t^{1/3}}{\tilde{w} - \tilde{z}}, \tag{5.10}$$

$$t(G(z_c(1 + t^{-1/3}\tilde{z})) - G(z_c(1 + t^{-1/3}\tilde{w}))) \simeq -\frac{1}{3}z_c^2(\tilde{z}^3 - \tilde{w}^3), \tag{5.11}$$

$$rt^{1/3}(\log(z_c(1 + t^{-1/3}\tilde{z})) - \log(z_c(1 + t^{-1/3}\tilde{w}))) \simeq r(\tilde{z} - \tilde{w}), \tag{5.12}$$

$$\frac{(-z; \tau)_\infty}{(-w; \tau)_\infty} \simeq 1. \tag{5.13}$$

There is an extra factor $(z_c t^{1/3})^{-1}$ from the volume element due to the change in w, w' .

We substitute $\tilde{z}, \tilde{w}, \tilde{w}'$ by $(a/2)^{-2/3}z, (a/2)^{-2/3}w, (a/2)^{-2/3}w'$ and thereby arrive at the limiting kernel

$$K_r(w, w') = \int dz \exp\left(-\frac{1}{3}z^3 + \frac{1}{3}w^3 + (a/2)^{-2/3}r(z-w)\right) \frac{1}{w-z} \cdot \frac{1}{z-w'}. \quad (5.14)$$

The w contour is now given by two rays departing at 1 at angles $\pm\pi/3$, oriented with increasing imaginary part, and the z contour is given by two infinite rays starting at 0 at angles $\pm 2\pi/3$, oriented with decreasing imaginary part. The Fredholm determinant with this kernel is identical to the Fredholm determinant of the Airy kernel, see [44] Lemma 8.6. Hence one concludes that

$$\lim_{t \rightarrow \infty} \mathbb{P}(t^{-1/3}(N_\infty(u, t/\gamma) - \frac{1}{4}a^2t) \geq -(a/2)^{2/3}r) = F_{\text{GUE}}(r) \quad (5.15)$$

with $F_{\text{GUE}}(r) = \mathbb{P}(\xi_{\text{GUE}} \leq r)$, under the assumption that the contribution from the remainder of the steepest decent path vanishes as $t \rightarrow \infty$.

6 The Bethe ansatz transition probability

The goal of this section is to establish that the dynamics with point interactions has a “smooth” transition probability, as used in Section 2 for the proof of duality. While there should be a more abstract approach, we will use the Bethe ansatz construction of the transition probability, as pioneered by Tracy and Widom [43, 44] in the context of the ASEP. To make the comparison transparent, we follow closely their notation, which in part deviates from earlier notations. The particle process is denoted by $x(t) \in \mathbb{W}_N^+$ with initial condition $x(0) = y$. As explained before $x(t)$ is the semi-martingale determined by

$$x_j(t) = y_j + B_j(t) - p\Lambda^{(j,j+1)}(t) + q\Lambda^{(j-1,j)}(t), \quad (6.1)$$

$t \geq 0, j = 1, \dots, N$. By definition $\Lambda^{(0,1)}(t) = 0 = \Lambda^{(N,N+1)}(t)$, where

$$\Lambda^{(j,j+1)}(\cdot) = L^{x_{j+1}-x_j}(\cdot, 0) \quad (6.2)$$

is the right-sided local time accumulated at the origin by the nonnegative martingale $x_{j+1}(\cdot) - x_j(\cdot)$.

Let $f : \mathbb{W}_N^+ \rightarrow \mathbb{R}$ be a C^2 -function and define

$$f(y, t) = \mathbb{E}_y(f(x(t))) \quad (6.3)$$

with \mathbb{E}_y denoting expectation of the $x(t)$ process of (6.1) starting at $y \in \mathbb{W}_N^+$. As to be shown, f satisfies the backwards equation

$$\partial_t f = \frac{1}{2} \Delta_y f \quad (6.4)$$

for $y \in (\mathbb{W}_N^+)^{\circ}$ and

$$(p\partial_j - q\partial_{j+1})f|_{y_j=y_{j+1}} = 0, \quad (6.5)$$

the directional derivative being taken from the interior of \mathbb{W}_N^+ .

Let us define the standard decomposition

$$\mathbb{P}(x(t) \in dx | x(0) = y) = P_y(x, t)dx + P_y^{\text{sing}}(dx, t). \quad (6.6)$$

In spirit $P_y(x, t)$ should be the solution to the backwards equation. We follow Bethe [5] and start from an ansatz for the solution of (6.4), (6.5) given by

$$Q_y(x, t) = \sum_{\sigma \in S_N} \int_{\Gamma_a} dz_1 \cdots \int_{\Gamma_a} dz_N A_\sigma(z) \prod_{j=1}^N e^{z_{\sigma(j)}(x_j - y_{\sigma(j)})} e^{\frac{1}{2}z_j^2 t} = \sum_{\sigma \in S_N} I_\sigma(y; x, t), \quad (6.7)$$

where the sum is over all permutations σ of order N . The Gaussian factor ensures that Eq. (6.4) is satisfied. The expansion coefficients A_σ are determined through the boundary condition (6.5). We define the ratio of scattering amplitudes

$$S(z_\alpha, z_\beta) = -\frac{\tau z_\alpha - z_\beta}{\tau z_\beta - z_\alpha} \tag{6.8}$$

for wave numbers $z_\alpha, z_\beta \in \mathbb{C}$. The expansion coefficient A_σ can be written as

$$A_\sigma(\underline{z}) = \prod_{\{\alpha, \beta\} \in \text{In}(\sigma)} S(z_\alpha, z_\beta). \tag{6.9}$$

\underline{z} stands for (z_1, \dots, z_N) . $\text{In}(\sigma)$ denotes the set of all inversions in σ , where an inversion in σ means an ordered pair $\{\sigma(i), \sigma(j)\}$ such that $i < j$ and $\sigma(i) > \sigma(j)$. The contour of integration is $\Gamma_a = \{a + i\varphi, \varphi \in \mathbb{R}\}$ with positive orientation.

Theorem 6.1. *Let $0 < \tau < 1$ and $a > 0$. For $t > 0$ and every $y \in \mathbb{W}_N^+$ the transition probability for $x(t)$ is absolutely continuous, $\mathbb{P}(x(t) \in dx | x(0) = y) = P_y(x, t)dx$. Its density has a continuous version on \mathbb{W}_N^+ given by*

$$P_y(x, t) = Q_y(x, t) \quad \text{a.s.} \tag{6.10}$$

For $1 < \tau < \infty$, Eq. (6.10) still holds, but one has to impose $a < 0$. The limiting cases $\tau = 1$ and $\tau \rightarrow 0$ will be discussed below.

In the remainder of this section we prove Theorem 6.1 with some estimates being shifted to Appendix D.

We first investigate properties of $Q_y(x, t)$ and set

$$Q_y(f, t) = \int_{\mathbb{W}_N^+} dx Q_y(x, t) f(x), \quad I_\sigma(y; f, t) = \int_{\mathbb{W}_N^+} dx I_\sigma(y; x, t) f(x) \tag{6.11}$$

with properties of the test function f to be specified later on.

Lemma 6.2. *Let $y \in \mathbb{W}_N^+$ and let $f \in \mathcal{D}_\epsilon$, which consists of smooth functions with compact support contained in $\mathbb{W}_{N, \epsilon}^+ = \{x \in \mathbb{W}_N^+ | |x_{j+1} - x_j| \geq \epsilon, \text{ all } j\}$. Then for $x \in (\mathbb{W}_N^+)^\circ$ it holds*

$$\partial_t Q_y(x, t) = \frac{1}{2} \Delta_y Q_y(x, t), \tag{6.12}$$

$$(\tau \partial_j - \partial_{j+1}) Q_y(x, t) \Big|_{y_j = y_{j+1}} = 0. \tag{6.13}$$

For $\sigma = \text{id}$, the identity permutation,

$$\lim_{t \rightarrow 0} I_{\text{id}}(y; f, t) = f(y) \tag{6.14}$$

and for $\sigma \neq \text{id}$

$$\lim_{t \rightarrow 0} I_\sigma(y; f, t) = 0. \tag{6.15}$$

We illustrate the method by means $N = 2$, for which

$$\begin{aligned} Q_y(x, t) &= \int_{\Gamma_a} dz_1 \int_{\Gamma_a} dz_2 \left(e^{z_1(x_1 - y_1) + z_2(x_2 - y_2)} - \frac{\tau z_2 - z_1}{\tau z_1 - z_2} e^{z_2(x_1 - y_2) + z_1(x_2 - y_1)} \right) e^{\frac{1}{2}(z_1^2 + z_2^2)t} \\ &= I_{12}(y; x, t) + I_{21}(y; x, t). \end{aligned} \tag{6.16}$$

The validity of Eq. (6.12) is easily checked. For the boundary condition we note

$$\begin{aligned} (\tau \partial_1 - \partial_2) Q_y(x, t) \Big|_{y_1 = y_2} &= \int_{\Gamma_a} dz_1 \int_{\Gamma_a} dz_2 \left((-\tau z_1 + z_2) e^{z_1(x_1 - y_1) + z_2(x_2 - y_1)} \right. \\ &\quad \left. - \frac{\tau z_2 - z_1}{\tau z_1 - z_2} (-\tau z_1 + z_2) e^{z_2(x_1 - y_1) + z_1(x_2 - y_1)} \right) e^{\frac{1}{2}(z_1^2 + z_2^2)t} = 0 \end{aligned} \tag{6.17}$$

upon interchanging z_1 and z_2 . Clearly, $I_{12}(y; x, t)$ satisfies (6.14). Thus we still have show that $\lim_{t \rightarrow 0} I_{21}(y; x, t)$ vanishes for $y \in \mathbb{W}_2^+$ and $x \in (\mathbb{W}_2^+)^{\circ}$. For this purpose, we introduce a new variable, z_0 , by $z_0 = z_1 + z_2$ and substitute z_2 by z_0 . Then

$$\begin{aligned} I_{21}(y; x, t) &= - \int_{\Gamma_{2a}} dz_0 \int_{\Gamma_a} dz_1 \frac{\tau(z_0 - z_1) - z_1}{\tau z_1 - (z_0 - z_1)} e^{(z_0 - z_1)(x_1 - y_2) + z_1(x_2 - y_1)} e^{\frac{1}{2}(z_1^2 + (z_0 - z_1)^2)t} \\ &= \int_{\Gamma_{2a}} dz_0 \int_{\Gamma_a} dz_1 \frac{z_1 - \tau(1 + \tau)^{-1}z_0}{z_1 - (1 + \tau)^{-1}z_0} e^{z_1(x_2 - x_1 + y_2 - y_1) + z_0(x_1 - y_2)} e^{\frac{1}{2}(z_1^2 + (z_0 - z_1)^2)t}. \end{aligned} \tag{6.18}$$

The pole of z_1 is at $z_1 = (1 + \tau)^{-1}z_0$ and hence to the right of Γ_a . Under our assumptions one has $x_2 - x_1 + y_2 - y_1 > 0$.

We note the following

Distributional identities: For $a \in \mathbb{R}$, $b \in \mathbb{C}$ with $\Re b < a$ it holds

$$\int_{\Gamma_a} dz \frac{e^{(z-b)u}}{z-b} = \theta(u) \tag{6.19}$$

and with $\Re b > a$

$$\int_{\Gamma_a} dz \frac{e^{(z-b)u}}{z-b} = -\theta(-u), \tag{6.20}$$

where $\theta(u) = 1$ for $u > 0$ and $\theta(u) = 0$ for $u < 0$.

Using (6.20) implies $\lim_{t \rightarrow 0} I_{21}(y; x, t) = 0$ for $x \in (\mathbb{W}_2^+)^{\circ}$.

Proof of Lemma 6.2: Property (6.12) is easily checked. The argument leading to (6.13) is identical to Theorem 2.1, proof of (b), in [43]. Property (6.14) follows directly from the definition. The difficult part is (6.15). In fact, for the ASEP the analogue of I_{σ} is not necessarily equal to 0 and one has to use cancellations. In this respect the contour integral for Brownian motions with oblique reflections has a somewhat simpler pole structure than its lattice gas version.

We choose subsets $A, B \subset [1, \dots, N - 1]$, such that $A \cap B = \emptyset$, $A \cup B = [1, \dots, N - 1]$, $0 \leq |A| \leq N - 2$, $1 \leq |B| \leq N - 1$. For $1 \leq n < N$ we set $\sigma(n) = N$, $A = \{i_1, \dots, i_{n-1}\}$ and $B = \{i_{n+1}, \dots, i_N\}$. A generic permutation then reads

$$\sigma = \begin{pmatrix} 1 & 2 & \cdots & n-1 & n & n+1 & \cdots & N \\ i_1 & i_2 & \cdots & i_{n-1} & N & i_{n+1} & \cdots & i_N \end{pmatrix}. \tag{6.21}$$

If $n = N$, one falls back onto the case $N - 1$. Thus without loss of generality one can restrict to $n < N$.

By separating the factors corresponding to the inversions (N, j) with $j \in B$, the integrand of I_{σ} can be written as

$$\prod_{j \in B} S(z_N, z_j) \prod_{\{\alpha, \beta\} \in \text{In}(\sigma), \alpha \neq N} S(z_{\alpha}, z_{\beta}) \prod_{j=1}^N e^{z_j(x_{\sigma^{-1}(j)} - y_j)} e^{\frac{1}{2}z_j^2 t}. \tag{6.22}$$

We set

$$z_0 = z_1 + \dots + z_N \tag{6.23}$$

and substitute z_N by z_0 . Hence $z_0 \in \Gamma_{Na}$. The phase factor transforms to

$$\prod_{j=1}^N e^{z_j(x_{\sigma^{-1}(j)} - y_j)} = \prod_{j=1}^{N-1} e^{z_j(x_{\sigma^{-1}(j)} - x_{\sigma^{-1}(N)} + y_N - y_j)} e^{z_0(x_{\sigma^{-1}(N)} - y_N)}. \tag{6.24}$$

Since $\sigma^{-1}(N) = n$ and $n < \sigma^{-1}(j)$ for $j \in B$, one concludes

$$x_{\sigma^{-1}(j)} - x_{\sigma^{-1}(N)} + y_N - y_j \geq \epsilon, \quad j \in B. \tag{6.25}$$

We set $\ell = \min B$ and first integrate over z_ℓ . Poles may arise from $S(z_N, z_j)$ [case 1] and $S(z_\alpha, z_\beta)$ [case 2]. In the first case, if $j = \ell$, the denominator reads

$$(1 + \tau)z_\ell - (z_0 - z_1 - \dots - \cancel{z_\ell} - \dots - z_{N-1}), \tag{6.26}$$

where $\cancel{z_\ell}$ means that this term is omitted from the sum. Since $\tau < 1$, the pole for the z_ℓ integration lies to the right of Γ_a . Furthermore, if $j \neq \ell$, the denominator reads

$$z_\ell + (1 + \tau)z_j - (z_0 - z_1 - \dots - \cancel{z_j} - \cancel{z_\ell} - \dots - z_{N-1}). \tag{6.27}$$

As before, the pole for the z_ℓ integration lies to the right of Γ_a . In the second case a generic factor reads

$$S(z_\alpha, z_\beta) = -\frac{\tau z_\alpha - z_\beta}{\tau z_\beta - z_\alpha} \tag{6.28}$$

with $\alpha > \beta$. For the z_ℓ -integration either $\ell = \alpha$ or $\ell = \beta$ need to be considered. If $\ell = \alpha$, then $\ell > \beta$. Since $\ell = \min B$, one must have $\beta \in A$. But then (ℓ, β) is not an inversion. Hence $\ell = \beta$ and the pole for the z_ℓ integration is at $\tau^{-1}z_\alpha$ for some $\alpha \in [1, \dots, N - 1]$ and hence to the right of Γ_a . Thus the z_ℓ integration has no poles to the left of Γ_a . If $\ell = \beta$, then $\alpha > \ell$ and the argument just given applies. With this information Property (6.15) can be proved, but we leave the details for Appendix D.

Lemma 6.3. For $f \in \mathcal{D}_\epsilon$ it holds

$$\mathbb{E}_y(f(x(t))) = Q_y(f, t). \tag{6.29}$$

Proof. Let us denote $P_y(f, t) = \mathbb{E}_y(f(x(t)))$. We have to show that $P_y(f, t) = Q_y(f, t)$, which corresponds to Theorem 3.1 upon identifying $P_y(f, t)$ with F_n and $Q_y(f, t)$ with \tilde{F}_n . We have established already that $Q_y(f, t)$ satisfies the properties (i) and (ii) in the proof of Theorem 3.1. In addition $x \mapsto Q_x(f, \tau)$ is continuous and bounded. So we merely have to copy part (iii) with the result

$$\mathbb{E}_y(Q_{x(\epsilon)}(f, T)) = \mathbb{E}_y(P_{x(T)}(f, \epsilon)). \tag{6.30}$$

Continuously in ϵ , $x(\epsilon) \rightarrow y$ and $P_{x(T)}(f, \epsilon) \rightarrow f(x(T))$. Hence

$$Q_y(f, T) = \mathbb{E}_y(f(x(T))). \tag{6.31}$$

□

Lemma 6.4. For $t > 0$ and $y \in \mathbb{W}_N^+$,

$$P_y^{\text{sing}}(dx, t) = 0. \tag{6.32}$$

Proof. In (6.29) we insert the decomposition in (6.6). Then

$$\int f(x)P_y(x, t)dx + \int f(x)P_y^{\text{sing}}(dx, t) = Q_y(f, t), \tag{6.33}$$

which implies that $P_y(x, t) = Q_y(x, t)$ a.s. and $P_y^{\text{sing}}((\mathbb{W}_N^+)^\circ, t) = 0$. To prove that the singular part vanishes, by normalization one only has to establish that $Q_y(\mathbb{1}, t) = 1$ with $\mathbb{1}(x) = 1$. We set

$$g_N(u) = \int_{-\infty}^u dx_N \cdots \int_{-\infty}^{x_2} dx_1 Q_y(x, t). \tag{6.34}$$

$g_N(u)$ is the distribution function for the N -th particle at fixed initial configuration y . Since $a > 0$, all x -integrals are convergent and

$$g_N(u) = \sum_{\sigma \in S_N} \int_{\Gamma_a} dz_1 \cdots \int_{\Gamma_a} dz_N A_\sigma(\underline{z}) \times \frac{1}{(z_{\sigma(1)} + \cdots + z_{\sigma(N)}) \cdots (z_{\sigma(2)} + z_{\sigma(1)}) z_{\sigma(1)}} \prod_{j=1}^N e^{z_j(u-y_j)} e^{\frac{1}{2} z_j^2 t}. \quad (6.35)$$

Following [43], one can rewrite

$$A_\sigma(\underline{z}) = \text{sgn } \sigma \prod_{1 \leq i < j \leq N} \frac{qz_{\sigma(j)} - pz_{\sigma(i)}}{qz_j - pz_i}. \quad (6.36)$$

To apply the first combinatorial identity of Tracy and Widom [43], Section VI, one has to invert the order as $\tilde{\sigma}(j) = \sigma(N - j)$. Then (6.35) reads

$$\sum_{\tilde{\sigma} \in S_N} \text{sgn } \tilde{\sigma} \prod_{1 \leq i < j \leq N} \frac{pz_{\tilde{\sigma}(j)} - qz_{\tilde{\sigma}(i)}}{qz_j - pz_i} \frac{1}{(z_{\tilde{\sigma}(1)} + \cdots + z_{\tilde{\sigma}(N)}) \cdots (z_{\tilde{\sigma}(N-1)} + z_{\tilde{\sigma}(N)}) z_{\tilde{\sigma}(N)}} = q^{N(N-1)/2} \prod_{1 \leq i < j \leq N} \frac{z_j - z_i}{qz_j - pz_i} \prod_{j=1}^N \frac{1}{z_j} = \prod_{1 \leq i < j \leq N} \frac{z_j - z_i}{z_j - \tau z_i} \prod_{j=1}^N \frac{1}{z_j}. \quad (6.37)$$

In the second line we used the combinatorial identity in the limit $\xi_j = 1 + z_j$ to linear order in z_j . Inserting in (6.35), one arrives at

$$g_N(u) = \int_{\Gamma_a} dz_1 \cdots \int_{\Gamma_a} dz_N \prod_{1 \leq i < j \leq N} \frac{z_j - z_i}{z_j - \tau z_i} \prod_{j=1}^N \frac{1}{z_j} e^{z_j(u-y_j)} e^{\frac{1}{2} z_j^2 t}. \quad (6.38)$$

We have to show that $\lim_{u \rightarrow \infty} g_N(u) = 1$.

We integrate over z_1 . The poles for z_1 are at $\tau^{-1} z_j$, $z_j \in \Gamma_a$, $j = 2, \dots, N$, and at $z_1 = 0$. We choose u sufficiently large such that $u - y_j > 0$. Then the contour Γ_a can be deformed to a contour $\tilde{\Gamma}_a$ plus a small positively oriented circle around 0. $\tilde{\Gamma}_a$ coincides with Γ_a far away from the origin and lies to the left of $z_1 = 0$ close to the origin. Integrating along the circle yields $g_{N-1}(u)$ and one arrives at the identity

$$g_N(u) = \int_{\Gamma_a} dz_2 \cdots \int_{\Gamma_a} dz_N \int_{\tilde{\Gamma}_a} dz_1 \prod_{1 \leq i < j \leq N} \frac{z_j - z_i}{z_j - \tau z_i} \prod_{j=1}^N \frac{1}{z_j} e^{z_j(u-y_j)} e^{\frac{1}{2} z_j^2 t} + g_{N-1}(u). \quad (6.39)$$

In the limit $u \rightarrow \infty$ the first summand vanishes, since all poles of the z_1 -integration are to the right of $\tilde{\Gamma}_a$. Hence $\lim_{u \rightarrow \infty} g_N(u) = \lim_{u \rightarrow \infty} g_{N-1}(u)$. But $\lim_{u \rightarrow \infty} g_1(u) = 1$ and the claim follows by induction. \square

This concludes the proof of Theorem 6.1.

There are two limiting cases of interest, $\tau \rightarrow 1$ which corresponds to the symmetric interaction and $\tau \rightarrow 0$ which corresponds to the maximally asymmetric interaction. In the limit $\tau \rightarrow 1$ one has $S(z_\alpha, z_\beta) = -1$.

Corollary 6.5. For $\tau = 1$

$$P_y(x, t; \tau = 1) = \text{perm}(p_t(x_i - y_j)) \Big|_{i,j=1}^N \quad (6.40)$$

with the Gaussian kernel $p_t(u) = (2\pi t)^{-1/2} \exp(-u^2/2t)$ and perm denoting the permanent, i.e. omitting the factor $\text{sgn } \sigma$ in the definition of the determinant.

The contribution of Harris [22] relies on the formula (6.40). The limit $\tau \rightarrow 0$ of the transition probability has been first written down in [39], see also [46].

Corollary 6.6. For $q = 1$

$$P_y(x, t; q = 1) = \det(F_{i-j}(x_i - y_j)|_{i,j=1}^N), \tag{6.41}$$

where for $m \in \mathbb{Z}$

$$F_m(u) = \int_{\Gamma_a} dz z^m e^{zu} e^{\frac{1}{2}z^2 t}. \tag{6.42}$$

Proof. For $q = 1$ the integrand in (6.7) reads

$$\sum_{\sigma \in S_N} \text{sgn } \sigma \prod_{1 \leq i < j \leq N} \frac{z_{\sigma(j)}}{z_j} \prod_{j=1}^N e^{z_{\sigma(j)} x_j - z_j y_j} e^{\frac{1}{2} z_j^2 t} = \sum_{\sigma \in S_N} \text{sgn } \sigma \prod_{1 \leq i < j \leq N} \frac{z_j}{z_{\sigma(j)}} \prod_{j=1}^N e^{z_j (x_{\sigma(j)} - y_j)} e^{\frac{1}{2} z_j^2 t}. \tag{6.43}$$

Using the identity

$$\prod_{1 \leq i < j \leq N} \frac{z_j}{z_{\sigma(j)}} = \prod_{j=1}^N (z_j)^{\sigma(j)-j} \tag{6.44}$$

results in (6.41). □

A Non-universal constants

The asymptotics in (1.13) is the sum of two terms. The deterministic term is proportional to t . Its prefactor can be guessed on the basis of the Hamilton-Jacobi equation for the height,

$$\partial_t h = \gamma P(\partial_x h), \tag{A.1}$$

$\gamma = q - p$, compare with (1.11). The solution to (A.1) should be of the self-similar form, $h(x, t) = t\phi(x/t)$, for large t . Then the reference point is chosen as $x = ut$ and to leading order the height grows linearly in t . Such structure can be achieved for wedge initial conditions including the degenerate linear profile, $h(x, 0) = \ell x$, which is referred to as either flat or stationary initial condition. The fluctuating part of (1.13) is more difficult. Here our conjecture relies on a particular model with exact solutions. The respective formula can be put in a form which makes its generalization evident and can be checked against a few other models. In fact, the conjectures are really based on the universality hypothesis for models in the KPZ class. In our context the hypothesis states that, for $\gamma \neq 0$, the fluctuation properties are independent of the choice of the interaction potential V , except for potential dependent scales. The non-universal prefactors listed below could possibly vanish, in which case a more detailed analysis is required.

We discuss separately the three canonical cases, wedge, flat, and stationary initial conditions.

(i) *wedge initial conditions.* We consider two initial wedges, labelled by $\sigma = +, -$ and given by

$$h_+(x, 0) = \ell_- x \text{ for } x \leq 0, \quad h_+(x, 0) = \ell_+ x \text{ for } x \geq 0, \tag{A.2}$$

$$h_-(x, 0) = \ell_+ x \text{ for } x \leq 0, \quad h_-(x, 0) = \ell_- x \text{ for } x \geq 0 \tag{A.3}$$

with $\ell_- < \ell_+$ and denote by $h_\sigma(x, t)$ the corresponding solution of (A.1). Our initial value problem is equivalent to the Riemann problem for a scalar conservation law in one dimension, which is well studied, see [24], Chapter 2.2, for a detailed discussion.

We define

$$\phi_+(y) = \sup_{\ell_- \leq \ell \leq \ell_+} (\ell y + \gamma P(\ell)) \tag{A.4}$$

and correspondingly

$$\phi_-(y) = \inf_{\ell_- \leq \ell \leq \ell_+} (\ell y + \gamma P(\ell)). \tag{A.5}$$

ϕ_+ is convex up and ϕ_- is convex down. ϕ_σ is linear outside the interval $[y_\sigma^-, y_\sigma^+]$ with slope $\ell_{-\sigma}$ to the left and ℓ_σ to the right of the interval. Inside the interval there are finitely many cusp points, i.e shocks for the slope. We label them as $y_\sigma^- < y_\sigma^1 < \dots < y_\sigma^{k_\sigma} < y_\sigma^+$, where the cases $y_\sigma^- < y_\sigma^+$, no cusp point, and $y_\sigma^- = y_\sigma^+$ are admitted. Then $h_\sigma(x, t)$ is self-similar and reads

$$h_\sigma(x, t) = t\phi_\sigma(x/t). \tag{A.6}$$

We consider now the coupled diffusions $x_j(t)$, $j \in \mathbb{Z}$, governed by Eq. (1.9). As initial measure we choose $x_0 = 0$, $x_{j+1} - x_j$, $j \geq 0$, independently distributed according to (1.7) with pressure $P(\ell_+)$, and $x_j - x_{j-1}$, $j \leq 0$, independently distributed according to (1.7) with pressure $P(\ell_-)$. For case (A.3) we impose the obviously interchanged initial conditions.

Conjecture A.1. *Let $u \in]y_\sigma^-, y_\sigma^+[$ and different from a cusp point. Furthermore set $\ell_0 = \phi'_\sigma(u)$, $A = -P'(\ell_0) > 0$, $\lambda = \gamma P''(\ell_0) \neq 0$. Then*

$$\lim_{t \rightarrow \infty} \mathbb{P}(x_{\lfloor ut \rfloor}(t) - t\phi_\sigma(u) \leq -\text{sgn}(\phi''_\sigma(u))(\frac{1}{2}|\lambda|A^2t)^{1/3}s) = F_{\text{GUE}}(s). \tag{A.7}$$

ξ_{GUE} has a negative mean and the actual interface is more likely located towards the interior of tangent circle at $(u, \phi_\sigma(u))$. If P'' has a definite sign, then one of the two cases is empty. But in general either case has to be considered.

Our conjecture is based on the KPZ equation, from which the non-universal coefficients follow immediately by its scale invariance [1, 38]. The result has been confirmed by the TASEP with step initial conditions [27] and a variety of similar models [7, 41].

(ii) *flat initial conditions.* If $\ell_- = \ell = \ell_+$, then the solution to (A.1) reads $h(x, t) = \ell x + P(\ell)t$. A natural microscopic choice would be the deterministic data $x_j(0) = \ell j$, as discussed in the Introduction. Such a microscopic configuration is called flat, since there are no deviating fluctuations from strict periodicity.

Conjecture A.2. *For flat initial conditions with slope ℓ , $\lambda = \gamma P''(\ell) \neq 0$, and $A = -P'(\ell)$,*

$$\lim_{t \rightarrow \infty} \mathbb{P}(x_{\lfloor ut \rfloor}(t) - (u\ell + \gamma P(\ell))t \leq -\text{sgn}(\lambda)(|\lambda|A^2t)^{1/3}s) = F_{\text{GOE}}(2s) \tag{A.8}$$

with $F_{\text{GOE}}(s) = \mathbb{P}(\xi_{\text{GOE}} \leq s)$.

Note that, as in Conjecture A.1, the term linear in t is dictated by the solution to the macroscopic equation. The non-universal scale coincides with one for the wedge. But the statistical properties of the fluctuations are distinct. They are now given by the Tracy-Widom GOE edge distribution, and more generally by the Airy_1 process, in contrast to the wedge, where one obtains GUE and the Airy_2 process.

Since there is no exact solution for the KPZ equation available, this time we use as reference model the TASEP with a periodic particle configuration as initial condition [36, 12]. The resulting formula has been checked for a few other models [11, 20].

(iii) *stationary initial conditions.* A second choice for a macroscopically flat height profile is to make the increments $\{r_j, j \in \mathbb{Z}\}$ time stationary, see (1.6), (1.7).

Conjecture A.3. *For stationary conditions with slope ℓ*

$$\lim_{t \rightarrow \infty} \mathbb{P}(x_{\lfloor -t\gamma P'(\ell) \rfloor}(t) - (-\ell P'(\ell) + P(\ell))\gamma t \leq -\text{sgn}(\lambda)(\frac{1}{2}|\lambda|A^2t)^{1/3}s) = F_{\text{BR}}(s). \tag{A.9}$$

The Baik-Rains distribution function, $F_{\text{BR}}(s)$, also denoted by $F_0(s)$, is defined in [2, 33]. As far as known, it is not related to any of the standard matrix ensembles. In (A.7) and (A.8) the reference point $\lfloor ut \rfloor$ is arbitrary, while (A.9) only close to the characteristic of Eq. (A.1) one observes the anomalous $t^{1/3}$ scaling. Away from the characteristic the fluctuations would be Gaussian generically.

The asymptotics of the KPZ equation with stationary initial data has been accomplished recently [8]. By scaling the result (A.9) follows, which is then confirmed through the TASEP [2, 34, 19] and the stationary version of the model defined in (1.16) [8].

B Convergence to point-interaction

The main text concerns Brownian motions with oblique reflection. In the introduction we argued that such point-interaction can be approximated through a short range, sufficiently repulsive potential. Here we prove such a claim. To keep matters simple, we only establish convergence of the second moments.

To start we choose a potential $V \in C^2(\mathbb{R} \setminus \{0\}, \mathbb{R}_+)$ with the properties $V(u) = V(-u)$, $\text{supp } V = [-1, 1]$, $V'(u) \leq 0$ for $u > 0$, and, for some $\delta > 0$, $\lim_{u \rightarrow 0} |u|^\delta V(u) > 0$. The scaled potential is defined by $V_\epsilon(u) = V(u/\epsilon)$. As in the introduction, we introduce the diffusion process, $x^\epsilon(t)$, governed by

$$\begin{aligned} dx_0^\epsilon(t) &= pV'_\epsilon(x_1^\epsilon(t) - x_0^\epsilon(t))dt + dB_0(t), \\ dx_j^\epsilon(t) &= (pV'_\epsilon(x_{j+1}^\epsilon(t) - x_j^\epsilon(t)) - qV'_\epsilon(x_j^\epsilon(t) - x_{j-1}^\epsilon(t)))dt + dB_j(t), \quad j = 1, \dots, n-1, \\ dx_n^\epsilon(t) &= -qV'_\epsilon(x_n^\epsilon(t) - x_{n-1}^\epsilon(t))dt + dB_n(t). \end{aligned} \tag{B.1}$$

The potential is entrance - no exit [30], hence $x^\epsilon(t) \in \mathbb{W}_{n+1}^+$ almost surely. The limit process, $y(t)$, is governed by (2.1),

$$\begin{aligned} y_0(t) &= y_0(0) + B_0(t) - p\Lambda^{(0,1)}(t), \\ y_j(t) &= y_j(0) + B_j(t) - p\Lambda^{(j,j+1)}(t) + q\Lambda^{(j-1,j)}(t), \quad j = 1, \dots, n-1, \\ y_n(t) &= y_n(0) + B_n(t) + q\Lambda^{(n-1,n)}(t). \end{aligned} \tag{B.2}$$

The processes $x^\epsilon(t), y(t)$ are defined on the same probability space.

Theorem B.1. *Let $x^\epsilon(t), y(t)$ be defined as in (B.1), (B.2) with $x^\epsilon(0) = y(0) \in \mathbb{W}_{n+1}^+$. Then*

$$\lim_{\epsilon \rightarrow 0} \mathbb{E}((x^\epsilon(t) - y(t))^2) = 0. \tag{B.3}$$

Proof. We switch to relative coordinates, $r_0^\epsilon = x_0^\epsilon$, $r_j^\epsilon = x_j^\epsilon - x_{j-1}^\epsilon$, $u_0 = y_0$, $u_j = y_j - y_{j-1}$, $j = 1, \dots, n$. Then

$$\begin{aligned} r_0^\epsilon(t) &= u_0(0) + B_0(t) - p\Psi_1^\epsilon(t), \\ r_1^\epsilon(t) &= u_1(0) + B_1(t) - B_0(t) - p\Psi_2^\epsilon(t) + \Psi_1^\epsilon(t), \\ r_j^\epsilon(t) &= u_j(0) + B_j(t) - B_{j-1}(t) - p\Psi_{j+1}^\epsilon(t) + \Psi_j^\epsilon(t) - q\Psi_{j-1}^\epsilon(t), \quad j = 2, \dots, n-1, \\ r_n^\epsilon(t) &= u_n(0) + B_n(t) - B_{n-1}(t) + \Psi_n^\epsilon(t) - q\Psi_{n-1}^\epsilon(t), \end{aligned} \tag{B.4}$$

where

$$\Psi_j^\epsilon(t) = - \int_0^t V'_\epsilon(r_j^\epsilon(s))ds. \tag{B.5}$$

Correspondingly for the limit process,

$$\begin{aligned} u_0(t) &= u_0(0) + B_0(t) - p\Lambda_1(t), \\ u_1(t) &= u_1(0) + B_1(t) - B_0(t) - p\Lambda_2(t) + \Lambda_1(t), \\ u_j(t) &= u_j(0) + B_j(t) - B_{j-1}(t) - p\Lambda_{j+1}(t) + \Lambda_j(t) - q\Lambda_{j-1}(t), \quad j = 2, \dots, n-1, \\ u_n(t) &= u_n(0) + B_n(t) - B_{n-1}(t) + \Lambda_n(t) - q\Lambda_{n-1}(t), \end{aligned} \tag{B.6}$$

with $\Lambda_j(t) = \Lambda^{(j-1,j)}(t)$ which depends only on $u_j(t)$.

On the right of (B.4) and (B.6) we note the Töplitz matrix A , $A_{ij} = -q\delta_{ij+1} + \delta_{ij} - p\delta_{ij-1}$, $i, j = 1, \dots, n$. A has the explicit inverse

$$(A^{-1})_{ij} = P_{ij}, \text{ for } 1 \leq i \leq j, \quad (A^{-1})_{ij} = P_{ji}\tau^{j-i}, \text{ for } j \leq i \leq n, \tag{B.7}$$

with

$$P_{ij} = \frac{(k_1^i - k_2^i)(k_1^{n+1-j} - k_2^{n+1-j})}{p(k_1 - k_2)(k_1^{n+1} - k_2^{n+1})} \tag{B.8}$$

and k_1, k_2 the two real and distinct roots of $-q + k - pk^2 = 0$. Thereby one confirms that there exists a $n \times n$ matrix C , with $C = C^t$, $C > 0$, such that $CA = \text{diag}(\tau^0, \dots, \tau^{n-1})$.

Let us consider the quadratic form $\langle (\underline{r}^\epsilon(t) - \underline{u}(t)), C(\underline{r}^\epsilon(t) - \underline{u}(t)) \rangle$, where $\underline{r}^\epsilon = (r_1^\epsilon, \dots, r_n^\epsilon)$, $\underline{u} = (u_1, \dots, u_n)$. The component $j = 0$ will be treated separately. Then

$$\begin{aligned} d\langle (\underline{r}^\epsilon(t) - \underline{u}(t)), C(\underline{r}^\epsilon(t) - \underline{u}(t)) \rangle &= 2 \sum_{j=1}^n \tau^{j-1} (\underline{r}^\epsilon(t) - \underline{u}(t))_j (d\Psi_j^\epsilon(t) - d\Lambda_j(t)) \\ &\leq 2 \sum_{j=1}^n \tau^{j-1} (-r_j^\epsilon(t) V'_\epsilon(r_j^\epsilon(t))) dt, \end{aligned} \tag{B.9}$$

since $r_j^\epsilon(t), u_j(t), d\Psi_j^\epsilon(t), d\Lambda_j(t) \geq 0$, and $u_j(t)d\Lambda_j(t) = 0$. Using $\text{supp } V_\epsilon = [-\epsilon, \epsilon]$ and $r_j^\epsilon(t) \leq \epsilon$ on $[0, \epsilon]$, one arrives at

$$\langle (\underline{r}^\epsilon(t) - \underline{u}(t)), C(\underline{r}^\epsilon(t) - \underline{u}(t)) \rangle \leq -2\epsilon\tau^{-n} \sum_{j=1}^n \int_0^t V'_\epsilon(r_j^\epsilon(s)) ds. \tag{B.10}$$

To deal with $r_0^\epsilon(t)$ one notes that

$$r_0^\epsilon(t) - u_0(t) = -p(\Psi_1^\epsilon(t) - \Lambda_1(t)), \quad \Psi_1^\epsilon(t) - \Lambda_1(t) = [A^{-1}(r^\epsilon(t) - u(t))]_1. \tag{B.11}$$

Thus the proof is completed, provided $\mathbb{E}(\Psi_j^\epsilon(t))$ is bounded uniformly in ϵ .

For this purpose note that

$$\mathbb{E}([A^{-1}(r^\epsilon(t) - r^\epsilon(0))]_j) = \mathbb{E}(\Psi_j^\epsilon(t)). \tag{B.12}$$

We choose $f \in C^2(\mathbb{R}_+)$, such that $f(r) = 1$ for $0 \leq r \leq 1$, $f(r) = r$ for large r with smooth interpolation satisfying $f'(r) \geq 0$, $|f''(r)| \leq c_0$. Let L_ϵ denote the generator for $r^\epsilon(t)$. Then, for $j = 2, \dots, N - 1$,

$$L_\epsilon f(r_j) = (qV'_\epsilon(r_{j+1}) - V'_\epsilon(r_j) + pV'_\epsilon(r_{j-1}))f'(r_j) + f''(r_j) \tag{B.13}$$

and correspondingly for $j = 1, N$. Since $V'_\epsilon \leq 0$, $f' \geq 0$, and $V'_\epsilon f' = 0$, one arrives at the bound

$$\mathbb{E}(r_j^\epsilon(t)) \leq \mathbb{E}(f(r_j^\epsilon(t))) \leq f(r_j^\epsilon(0)) + c_0. \tag{B.14}$$

with some constant c_0 independent of ϵ . Thus $\mathbb{E}(\Psi_j^\epsilon(t))$ is bounded uniformly in ϵ . \square

C Low density ASEP

We explain an alternative proof of Theorem 2.1 based on ASEP duality.

Proposition C.1. *Let $\rho_+ : \mathbb{W}_m^+ \rightarrow \mathbb{R}$, $\rho_- : \mathbb{W}_n^- \rightarrow \mathbb{R}$ be bounded, continuous probability densities. Then*

$$\int_{\mathbb{W}_n^-} \int_{\mathbb{W}_m^+} dx dy \rho_-(x) \rho_+(y) \mathbb{E}_y(H(x(t), y)) = \int_{\mathbb{W}_n^-} \int_{\mathbb{W}_m^+} dx dy \rho_-(x) \rho_+(y) \mathbb{E}_y(H(x, y(t))). \tag{C.1}$$

Remark. Since by Theorem 6.1 the transition probability has a continuous density, one can take the limits $\rho_-(x) \rightarrow \delta(x - x_0)$, $\rho_+(y) \rightarrow \delta(y - y_0)$ and duality holds in fact pointwise.

Proof. We set

$$H_+(y) = \int_{\mathbb{W}_n^-} dx \rho_-(x) H(x, y), \quad H_-(x) = \int_{\mathbb{W}_m^+} dy \rho_+(y) H(x, y). \quad (C.2)$$

H_+, H_- are continuous and (C.2) reads

$$\mathbb{E}_{\rho_-}(H_-(x(t))) = \mathbb{E}_{\rho_+}(H_+(y(t))). \quad (C.3)$$

(i) *The approximation theorem.* It suffices to discuss the particle process $y(t)$. We consider m ASEP particles with positions $w_1(t) < \dots < w_m(t)$, $w_j(t) \in \mathbb{Z}$. Particles jump with rate p to the right and rate q to the left, subject to the exclusion rule. Switching to the moving frame of reference and under diffusive rescaling one obtains

$$y_j^\epsilon(t) = \epsilon(w_j(\epsilon^{-2}t) - \lfloor (p - q)\epsilon^{-2}t \rfloor) \quad (C.4)$$

with $\lfloor \cdot \rfloor$ denoting integer part. Clearly $y_j^\epsilon(t) \in (\mathbb{W}_m^+)^{\circ} \cap (\epsilon\mathbb{Z})^m$.

Proposition C.2. *Let $f : \mathbb{W}_m^+ \rightarrow \mathbb{R}$ be bounded and continuous. Then for initial conditions y^ϵ such that $y^\epsilon \rightarrow y \in \mathbb{W}_m^+$ it holds*

$$\lim_{\epsilon \rightarrow 0} \mathbb{E}_{y^\epsilon}(f(y^\epsilon(t))) = \mathbb{E}_y(f(y(t))). \quad (C.5)$$

In [28], the proposition is proved for the asymmetric zero range process with constant rate, $c(n) = 1 - \delta_{0n}$, which differs from the ASEP at most by m uniformly in t .

(ii) *ASEP duality.* We introduce n dual particles. They jump with rate q to the right and rate p to the left, subject to the exclusion rule. The diffusively rescaled positions of the dual particles in the moving frame are denoted by $x_j^\epsilon(t)$.

Proposition C.3. *For all $x \in (\mathbb{W}_m^+)^{\circ} \cap (\epsilon\mathbb{Z})^m$ and $y \in (\mathbb{W}_m^+)^{\circ} \cap (\epsilon\mathbb{Z})^m$ it holds*

$$\mathbb{E}_x^\epsilon(H(x^\epsilon(t), y)) = \mathbb{E}_y^\epsilon(H(x, y^\epsilon(t))). \quad (C.6)$$

In [10] the assertion is proved for $\epsilon = 1$ at fixed lattice frame. In (C.6) the $y^\epsilon(t)$ frame moves with velocity $p - q$, while the $x^\epsilon(t)$ frame with velocity $q - p$. To check that the terms just balance one uses that $\theta(\lambda u) = \theta(u)$ for $\lambda > 0$ and the translation invariance of the ASEP dynamics.

Proof of Proposition C.1: In (C.6) we regard both sides as a piecewise constant function on $\mathbb{W}_m^+ \times \mathbb{W}_n^-$. Integrating over $\rho_+ \times \rho_-$ yields

$$\begin{aligned} & \int_{\mathbb{W}_n^-} \int_{\mathbb{W}_m^+} dx dy \rho_-(x) \rho_+(y) \mathbb{E}_{\lfloor x \rfloor_\epsilon} (H(x^\epsilon(t), \lfloor y \rfloor_\epsilon)) \\ &= \int_{\mathbb{W}_n^-} \int_{\mathbb{W}_m^+} dx dy \rho_-(x) \rho_+(y) \mathbb{E}_{\lfloor y \rfloor_\epsilon} (H(\lfloor x \rfloor_\epsilon, y^\epsilon(t))) \end{aligned} \quad (C.7)$$

with $\lfloor \cdot \rfloor_\epsilon$ the integer part mod ϵ . By continuity of ρ_-, ρ_+ ,

$$\begin{aligned} & \int_{\mathbb{W}_n^-} \int_{\mathbb{W}_m^+} dx dy \rho_-(x) \rho_+(y) \mathbb{E}_{\lfloor x \rfloor_\epsilon} (H(x^\epsilon(t), y)) \\ &= \int_{\mathbb{W}_n^-} \int_{\mathbb{W}_m^+} dx dy \rho_-(x) \rho_+(y) \mathbb{E}_{\lfloor y \rfloor_\epsilon} (H(x, y^\epsilon(t))) + o(\epsilon). \end{aligned} \quad (C.8)$$

Using Proposition C.2 establishes the claim. □

D Proof of (6.15)

We fix $\sigma, \sigma \neq \text{id}, n$, hence the sets A, B , and $\ell = \min B$. We have argued already that the integration over z_ℓ results in an expression vanishing as $t \rightarrow 0$. To have a proof we have to study the full $2N$ -dimensional integral. For $f \in \mathcal{D}_\epsilon$, this integral reads

$$I_\sigma(y; f, t) = \int_{\mathbb{R}^N} dx f(x) \int_{\Gamma_{aN}} dz_0 \int_{\Gamma_a} dz_1 \dots dz_{N-1} \times \prod_{j \in B} S(z_N, z_j) \prod_{\{\alpha, \beta\} \in \text{In}(\sigma), \alpha \neq N} S(z_\alpha, z_\beta) \prod_{j=1}^N e^{z_j(x_{\sigma^{-1}(j)} - y_j)} e^{\frac{1}{2} z_j^2 t} \tag{D.1}$$

with $z_0 = z_1 + \dots + z_N$. The phase factor for z_ℓ is given by

$$e^{z_\ell(x_{\sigma^{-1}(\ell)} - x_n + y_N - y_\ell)}. \tag{D.2}$$

By construction, $x_{\sigma^{-1}(\ell)} - x_n \geq \epsilon$ on the support of f . We introduce the change of variables

$$w = x_{\sigma^{-1}(\ell)} - x_n, \quad w_j = x_{\sigma(j)} - x_n, \quad j = 1, \dots, N, \quad j \neq \ell, \quad w_0 = x_n. \tag{D.3}$$

Also, as shorthand, we introduce $\underline{z}^{\vee\ell} = (z_0, \dots, \cancel{z_\ell}, \dots, z_{N-1})$, $z^{\vee\ell} = z_0 - z_1 - \dots - \cancel{z_\ell} - \dots - z_{N-1}$, $\underline{z}^{\vee\ell, j} = (z_0, \dots, \cancel{z_\ell}, \cancel{z_j}, \dots, z_{N-1})$, $z^{\vee\ell, j} = z_0 - z_1 - \dots - \cancel{z_\ell} - \cancel{z_j} - \dots - z_{N-1}$. Then

$$I_\sigma(y; f, t) = \int_{\mathbb{R}^{N-1}} d\underline{w}^{\vee\ell} \int d\underline{z}^{\vee\ell} \int_{\Gamma_a} dz_\ell \int_\epsilon^\infty dw \tilde{f}(w, \underline{w}^{\vee\ell}) e^{z_\ell(w + y_N - y_\ell)} e^{\frac{1}{2} z_\ell^2 t} \times \prod_{j \in B} S(z_N, z_j) \prod_{\{\alpha, \beta\} \in \text{In}(\sigma), \alpha \neq N} S(z_\alpha, z_\beta) \prod_{j=1, j \neq \ell}^N e^{z_j(x_{\sigma^{-1}(j)} - y_j)} e^{\frac{1}{2} z_j^2 t}, \tag{D.4}$$

where \tilde{f} denotes f under the linear transformation (D.3).

The strategy is to first integrate over $\underline{w}^{\vee\ell}$ which results in $g(w, \underline{z}^{\vee\ell})$, where by construction g is supported in $[\epsilon, \infty)$ in dependence on w and is smooth with a rapid decay on the contours Γ_a, Γ_{aN} . Secondly we bound the integration in $dz_\ell dw$ with an explicit dependence on $\underline{z}^{\vee\ell}$. For this purpose we have to study the S -factors. One has

$$\frac{\tau z_N - z_\ell}{\tau z_\ell - z_N} = \frac{\tau z^{\vee\ell} - (1 + \tau) z_\ell}{(1 + \tau) z_\ell - z^{\vee\ell}} \tag{D.5}$$

and for $j \in B \setminus \{\ell\}$

$$\frac{\tau z_N - z_j}{\tau z_j - z_N} = \frac{\tau z_\ell - (1 + \tau) z_j - \tau z^{\vee\ell, j}}{z_\ell + (1 + \tau) z_j - z^{\vee\ell, j}}. \tag{D.6}$$

The integrand for z_ℓ has the form

$$\prod_{j \in B \cup A(\ell)} \frac{z_\ell + a_j}{z_\ell - b_j}, \tag{D.7}$$

with $A(\ell) \subset A$, a_j, b_j linear in $z^{\vee\ell}$, and $\Re(b_j) > a$. For the remaining factors one only uses the bound

$$|S(z_\alpha, z_\beta)| \leq c(1 + |z_\alpha| + |z_\beta|) \tag{D.8}$$

on Γ_a, Γ_{aN} .

Lemma D.1. *Let $a_j, b_j \in \mathbb{C}$ and $\Re(b_j) > a, j = 1, \dots, m$, and define*

$$I(t) = \int_\epsilon^\infty dw f(w) \int_{\Gamma_a} dz e^{\frac{1}{2} z^2 t} e^{zw} \prod_{j=1}^m \frac{z + a_j}{z - b_j} \tag{D.9}$$

for $f \in \mathcal{D}_\epsilon$. Then, uniformly in t , $0 \leq t \leq 1$,

$$|I(t)| \leq c \prod_{j=1}^m (1 + |a_j| + |b_j|) \quad \text{and} \quad \lim_{t \rightarrow 0} I(t) = 0. \quad (\text{D.10})$$

Proof. The z -integrand is a product of e^{zw} and

$$F_0(z) = e^{\frac{1}{2}z^2t}, \quad F_j(z) = \frac{z + a_j}{z - b_j}. \quad (\text{D.11})$$

As distributions we define

$$\hat{F}_0(w) = \int_{\Gamma_\alpha} dz e^{\frac{1}{2}z^2t} e^{zw} = p_t(w), \quad (\text{D.12})$$

$$\hat{F}_j(w) = \int_{\Gamma_\alpha} dz e^{zw} \frac{z + a_j}{z - b_j} = -\theta(-w) e^{b_j w} + (a_j + b_j) \delta(w). \quad (\text{D.13})$$

Then $I(t)$ is expressed as an $(m + 1)$ -fold convolution,

$$I(t) = \int_\epsilon^\infty dw f(w) (F_0 * F_1 * \dots * F_m)(w). \quad (\text{D.14})$$

Since $|\theta(-w) e^{b_j w}| < 1$, one obtains the bound of (D.10). \hat{F}_j is supported on $(-\infty, 0]$, f on $[\epsilon, \infty)$, and $\lim_{t \rightarrow 0} p_t(w) = \delta(w)$, which establishes the limit of (D.10). \square

Next note that

$$|S(z_\alpha, z_\beta)| \leq c(1 + |z_1| + |z_2|). \quad (\text{D.15})$$

Hence

$$\begin{aligned} & \left| \int_{\Gamma_\alpha} dz_\ell \int_\epsilon^\infty dw g(w, \underline{z}^{\vee\ell}) e^{z_\ell(w + y_N - y_\ell)} e^{\frac{1}{2}z_\ell^2t} \prod_{j \in B} S(z_N, z_j) \prod_{\{\alpha, \beta\} \in \text{In}(\sigma), \alpha \neq N} S(z_\alpha, z_\beta) \right. \\ & \quad \times \left. \prod_{j=1, j \neq \ell}^N e^{z_j(x_{\sigma^{-1}(j)} - y_j)} e^{\frac{1}{2}z_j^2t} \right| \leq P_N(|\underline{z}^{\vee\ell}|) \sup_w |g(w, \underline{z}^{\vee\ell})| \end{aligned} \quad (\text{D.16})$$

uniformly in t with some polynomial P_N at most of order N . Thus we can use dominated convergence to conclude that

$$\lim_{t \rightarrow 0} I_\sigma(y; f, t) = 0. \quad (\text{D.17})$$

References

- [1] Amir, G., Corwin, I. and Quastel, J.: Probability distribution of the free energy of the continuum directed random polymer in $1 + 1$ dimensions. *Comm. Pure Appl. Math.* **64**, (2011), 466–537. MR-2796514
- [2] Baik, J. and Rains, E.M.: Limiting distributions for a polynuclear growth model with external sources. *J. Stat. Phys.* **100**, (2000), 523–542. MR-1788477
- [3] van Beijeren, H., Kutner, R. and Spohn, H.: Excess noise for driven diffusive systems. *Phys. Rev. Lett.* **54**, (1985), 2026–2029. MR-0789756
- [4] Benassi, A. and Fouque, J.-P.: Hydrodynamical limit for the asymmetric simple exclusion process, *Ann. Probab.* **15**, (1987), 546–560. MR-0885130
- [5] Bethe, H.A.: On the theory of metals, I. eigenvalues and eigenfunctions of a linear chain of atoms (in German). *Zeitschrift Phys.* **74**, (1931), 205–226. [English translation appears in Bethe, H.A.: Selected Works of Hans A. Bethe With Commentary, World Scientific, Singapore, 1996, pgs. 689–716.]

- [6] Borodin, A. and Corwin, I.: Macdonald processes. *Probab. Theory Rel. Fields* **158**, (2014), 225-400. MR-3152785
- [7] Borodin, A., Corwin, I. and Ferrari, P.L.: Free energy fluctuations for directed polymers in random media in 1+1 dimensions. *Comm. Pure Appl. Math.* **67**, (2014), 1129-1214. MR-3207195
- [8] Borodin, A., Corwin, I., Ferrari, P.L. and Vetö, B.: Height fluctuations for the stationary KPZ equation. arXiv:1407.6977 MR-3366125
- [9] Borodin, A., Corwin, I., Petrov, L. and Sasamoto, T.: Spectral theory for the q-Boson particle system. *Compositio Mathematica* **151**, (2015), 1-67. MR-3305308
- [10] Borodin, A., Corwin, I. and Sasamoto, T.: From duality to determinants for q-TASEP and ASEP. *Ann. Probab.* **42**, (2014), 2314-2382. MR-3265169
- [11] Borodin, A., Ferrari, P.L. and Prähofer, M.: Fluctuations in the discrete TASEP with periodic initial configurations and the Airy₁ process. *Int. Math. Res. Papers* **2007**, (2007), rpm002.
- [12] Borodin, A., Ferrari, P.L., Prähofer, M. and Sasamoto, T.: Fluctuation properties of the TASEP with periodic initial configuration. *J. Stat. Phys.* **129**, (2007), 1055-1080. MR-2363389
- [13] Borodin, A. and Gorin, V.: Lectures on integrable probability. arXiv:1212.3351
- [14] Borodin, A. and Petrov, L.: Integrable probability: from representation theory to Macdonald processes. arXiv: 1310.8007 MR-3178541
- [15] Chang, C.C. and Yau, H.-T.: Fluctuations of one dimensional Ginzburg-Landau models in nonequilibrium. *Commun. Math. Phys.* **145**, (1992), 209-234. MR-1162798
- [16] Corwin, I.: The Kardar-Parisi-Zhang equation and universality class. *Random Matrices: Theory and Applications* **1**, (2012), 113001. MR-2930377
- [17] Corwin, I. and Quastel, J.: Renormalization fixed point of the KPZ universality class. arXiv:1103.3422
- [18] Ferrari, P.L. and Spohn, H.: Scaling limit for the space-time covariance of the stationary totally asymmetric simple exclusion process. *Commun. Math. Phys.* **265**, (2006), 1-44. MR-2217295
- [19] Ferrari, P.L. and Spohn, H.: A determinantal formula for the GOE Tracy-Widom distribution. *Journ. Physics A* **37**, (2005), L557-L561. MR-2165698
- [20] Ferrari, P.L., Spohn, H. and Weiss, T.: Scaling limit for Brownian motions with one-sided collisions. *Annals Appl. Probab.* **25**, (2015), 1349-1382. MR-3325276
- [21] Guo, M.Z., Papanicolaou, G.C. and Varadhan, S.R.S.: Nonlinear diffusion limit for a system with nearest neighbor interactions. *Commun. Math. Phys.* **118**, (1988), 31-59. MR-0954674
- [22] Harris, T.E.: Diffusion with "collisions" between particles. *J. Appl. Probab.* **2**, (1965), 323-338. MR-0184277
- [23] Harrison, J.M. and Williams, R.J.: Multidimensional reflected Brownian motions having exponential stationary distributions. *Ann. Probab.* **15**, (1987), 115-137. MR-0877593
- [24] Holden, H. and Risebro, N.H.: Front Tracking for Hyperbolic Conservation Laws. Applied Mathematical Sciences 152, Springer-Verlag, Berlin, 2011. MR-2866066
- [25] Huse, D.A. and Henley, C.L.: Pinning and roughening of domain walls in Ising systems due to random impurities. *Phys. Rev. Lett.* **54**, (1985), 2708-2711 and **55**, (1985), 2924.
- [26] Jansen, S. and Kurt, N.: On the notion(s) of duality for Markov processes. arXiv:1210.7193v2 MR-3201861
- [27] Johansson, K.: Shape fluctuations and random matrices. *Commun. Math. Phys.* **209**, (2000), 437-476. MR-1737991
- [28] Karatzas, I., Pal, S. and Shkolnikov, M.: Systems of Brownian particles with asymmetric collisions. arXiv:1210.0259
- [29] Kardar, M., Parisi, G. and Zhang, Y.-C.: Dynamic scaling of growing interfaces. *Phys. Rev. Lett.* **56**, (1986), 889-892.
- [30] McKean, H. and Itô, K.: Diffusion Processes and Their Sample Paths. Grundlehren der mathematischen Wissenschaften 125, Springer, New York, 1965 (reprinted in Classics in Mathematics, 1996). MR-0199891

- [31] Moriarty, J. and O’Connell, N.: On the free energy of a directed polymer in a Brownian environment. *Markov Processes Related Fields* **13**, (2007), 251–266. MR-2343849
- [32] O’Connell, N. and Yor, M.: Brownian analogues of Burke’s theorem. *Stochastic Process. Appl.* **96**, (2001), 285–304.
- [33] Prähofer, M.: <http://www-m5.ma.tum.de/KPZ>
- [34] Prähofer, M. and Spohn, H.: Universal distributions for growth processes in $1 + 1$ dimensions and random matrices. *Phys. Rev. Lett.* **84**, (2000), 4882–4885.
- [35] Quastel, J. and Remenik, D.: Airy processes and variational problems. arXiv1301.0750 MR-3229288
- [36] Sasamoto, T.: Spatial correlations of the 1D KPZ surface on a flat substrate. *J. Phys. A* **38**, (2005), L549–L556. MR-2165697
- [37] Sasamoto, T. and Spohn, H.: Superdiffusivity of the 1D lattice Kardar-Parisi-Zhang equation. *J. Stat. Phys.* **137**, (2009), 917–935. MR-2570756
- [38] Sasamoto, T. and Spohn, H.: Exact height distributions for the KPZ equation with narrow wedge initial condition. *Nuclear Phys. B* **834**, (2010), 523–542. MR-2628936
- [39] Sasamoto, T. and Wadati, M.: Determinantal form solution for the derivative nonlinear Schrödinger type model. *J. Phys. Soc. Jpn.* **67**, (1998), 784–790. MR-1621629
- [40] Spohn, H.: Large Scale Dynamics of Interacting Particles, Texts and Monographs in Physics, Springer Verlag, Heidelberg, 1991.
- [41] Spohn, H.: KPZ Scaling theory and the semi-discrete directed polymer model. MSRI Proceedings. arXiv:1201.0645
- [42] Tracy, C.A. and Widom, H.: On orthogonal and symplectic matrix ensembles. *Commun. Math. Phys.* **177**, (1996), 727–754. MR-1385083
- [43] Tracy, C.A. and Widom, H.: Integral formulas for the asymmetric simple exclusion process. *Commun. Math. Phys.* **279**, (2008), 815–844. Erratum: *Commun. Math. Phys.* **304**, (2011), 875–878. MR-2386729
- [44] Tracy, C.A. and Widom, H.: Asymptotics in ASEP with step initial conditions. *Commun. Math. Phys.* **209**, (2009), 129–154. MR-2520510
- [45] Varadhan S.R.S. and Williams, R.J.: Brownian motion in a wedge with oblique reflection. *Comm. Pure Appl. Math.* **38**, (1984), 405–443. MR-0792398
- [46] Warren, J.: Dyson’s Brownian motions, intertwining and interlacing. *Electron. J. Probab.* **12**, (2007), 573–590. MR-2299928
- [47] Yau, H.-T.: Relative entropy and hydrodynamics of Ginzburg-Landau models. *Lett. Math. Phys.* **22**, (1991), 63–80. MR-1121850

Acknowledgments. We thank for the warm hospitality at the Institute for Advanced Study at Princeton, where the major part of our work was completed. We thank Tadahisa Funaki for advice concerning Appendix B. HS thanks Jeremy Quastel for most constructive discussions and Thomas Weiss for helping with the figures. TS is grateful for the support from KAKENHI 22740054 and Sumitomo Foundation.